

1x30 W Dimmable 1-10 V LED driver

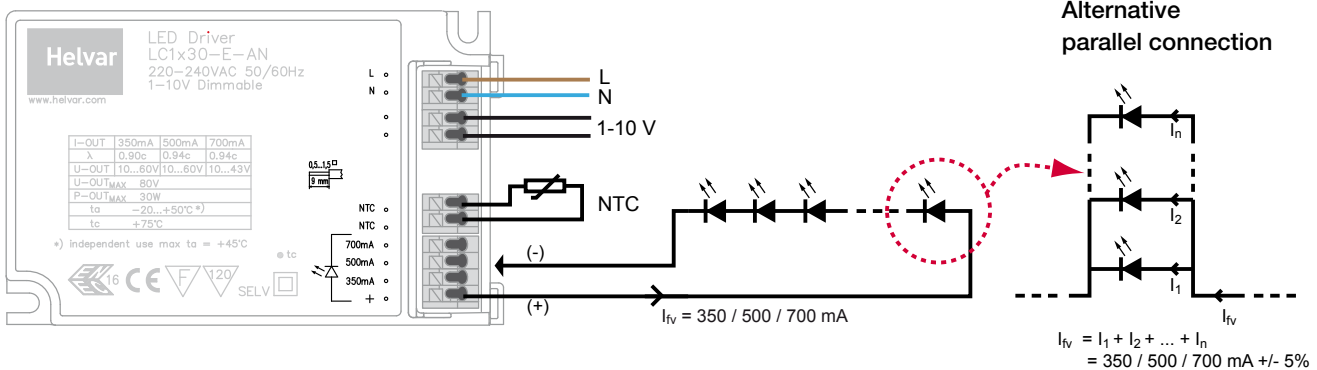


30 W 220-240 VAC, 50-60 Hz

- Selectable constant current output: 350 / 500 / 700 mA (custom currents on request)
- Maximum 30 W load
- 1-10 V control input, 1 %-100 % dimming range
- Protected up to 4 kV power network fast transients
- High efficiency, 0.86
- Optional click-on strain relief for independent use
- External NTC thermal input
- MIMO3 and μ Dim sensor compatible



Connections



Note: Not suitable for load side switching operation.

Mains Characteristics

| | |
|---------------------------------|--|
| Voltage range | 198 - 264 VAC |
| DC range | 176 - 280 VDC, starting voltage > 190 VDC |
| Max mains current at full load | 0.14-0.18 mA |
| Frequency | 0 / 50 - 60 Hz |
| U-OUT _{max} (abnormal) | 80 V |

Load Output

| | |
|-----------------------------------|---|
| Output current (I-OUT) | 350 / 500 / 700 mA (custom output currents 245-700mA on request) |
| Max output power | 30 W |
| Efficiency, at full load, typical | ≥ 0.86 |

| I-OUT | 350 mA | 500 mA | 700 mA |
|--------------|-----------|-----------|-----------|
| U-OUT | 10 - 60 V | 10 - 60 V | 10 - 43 V |
| λ | 0.90c | 0.94c | 0.94c |
| η @ max | 0.86 | 0.86 | 0.86 |

Operating Conditions and Characteristics

| | |
|---|---|
| Max.temperature at t _c point | 75 °C |
| Ambient temperature range | -20...+50 °C * |
| | (* Independent use t _{a max} = +45 °C) |
| Storage temperature range | -40...+80 °C |
| Maximum relative humidity | no condensation |
| Life time | 50 000h, at TC max (90 % survival rate) |

Connections and Mechanical Data

| | |
|-----------------------------------|---|
| Wire size | 0.5 - 1.5 mm ² |
| Wire type | solid core and fine-stranded |
| Maximum driver to LED wire length | 5m (1 m with NTC) |
| Weight | 126 g (+17 g, strain relief LC1x30-SR) |
| Thermal sensor input | Input for external NTC thermal sensor |
| NTC trigger point | 8.2 k Ω |
| IP rating | IP20 |

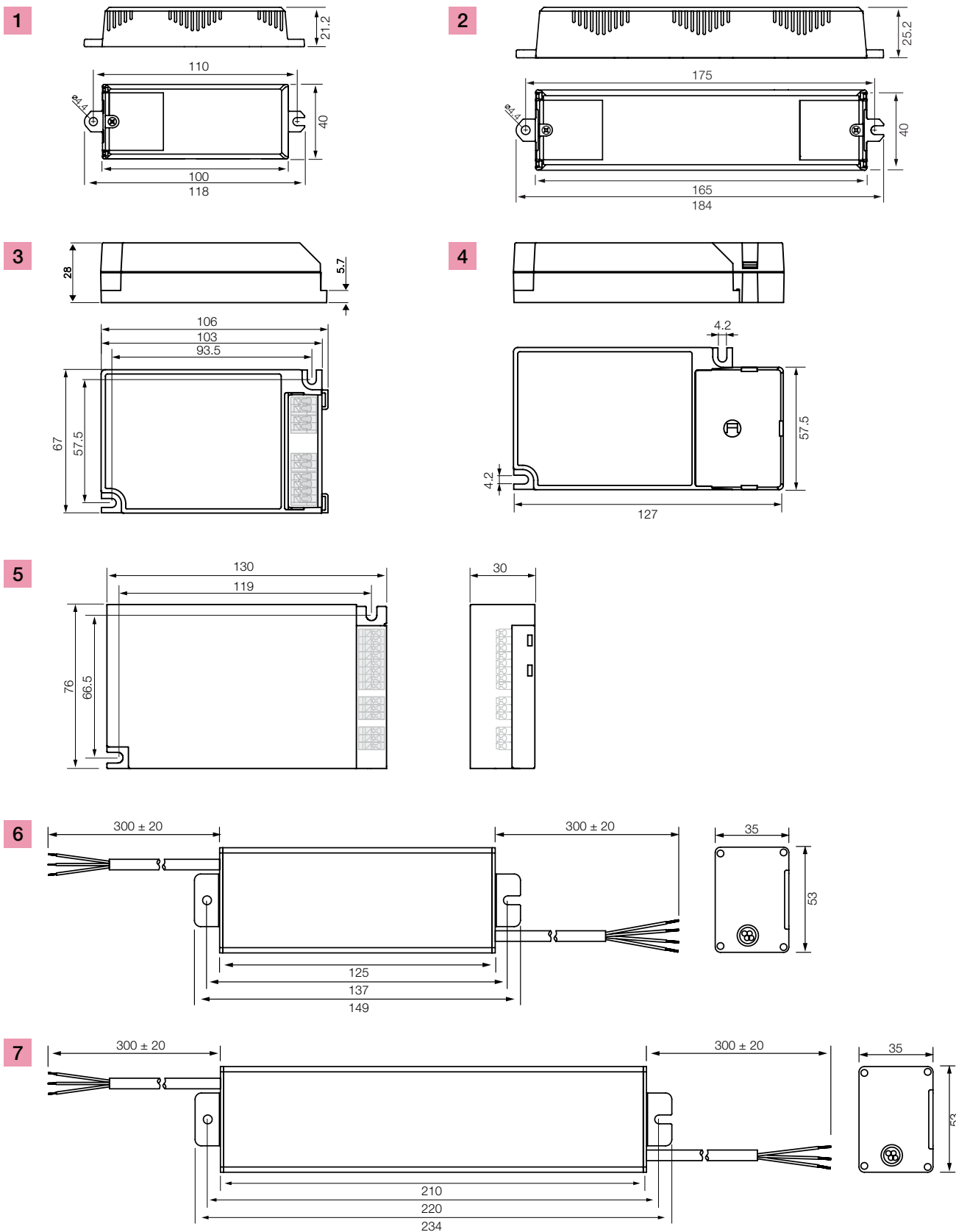
Conformity & Standards

| | |
|--|---------------|
| General and safety requirements | EN 61347-1 |
| Particular safety requirements for d.c. or a.c. supplied electronic controlgear for LED modules, acc. to | EN 61347-2-13 |
| Thermal protection class | EN61347, C5e |
| Mains current harmonics, acc. to | EN 61000-3-2 |
| Limits for Voltage Fluctuations and Flicker, acc. to | EN 61000-3-3 |
| Radio Frequency Interference, acc. to | EN 55015 |
| Immunity standard, acc. to | EN 61547 |
| Performance requirements, acc. to | EN 62384 |
| 1-10 V Control acc. to | EN 60929 |

Compliant with relevant EU directives
 ENEC, CE & SELV marked

Note: See page 79 for dimensions, (no. 3 & 4)

Dimensions



| | |
|---|---|
| 1 | LL6-U-CC |
| 2 | LL20-U-CC |
| 3 | LC1x30-E-CC, LC1x30-E-DA, LC1x30-E-AN |
| 4 | LC1x30-E-CC, LC1x30-E-DA, LC1x30-E-AN (+ LC1x30-SR) |
| 5 | LC50-U-DX3 |

| | |
|---|------------------------------|
| 6 | OL1x60-E-CC |
| 7 | OL1x100-E-CC1, OL1x100-E-CC2 |