

smart-house Eunica line, Multiple Sensor Type SHE5XLS4TH

CARLO GAVAZZI



- Light switch for building automation with integrated sensors for temperature and humidity
- Developed to fit into wall socket and frames from Elko, Gira and Jung
- 4 individually programmable pushbutton inputs
- Supplied by bus, no external supply required
- Delivered with 2 white and 1 black pushbutton covers
- White LEDs: programmable guide light function
- Blue LEDs: programmable function status
- Temperature range: -40 to +60°C
- Humidity range 5 to 95 %

Product Description

The SHE5XLS4TH is a light switch with 4 buttons and 4 LED outputs which integrates a temperature and a humidity sensor just in one item. It is developed to be mounted into the 55 x 55 wall socket and frame from Elko, Gira and Jung. This light-switch with its integrated sensors is part of the smart-house concept for building automation applica-

tions. The push buttons can be used to activate/deactivate any function, while the inputs provided by the two sensors can be used to control temperature, fans or whatever other function where a temperature or humidity value is needed. The SHE5XLS4TH is fully programmable via the SH tool.

Ordering Key

SHE 5 X LS 4 T H

smart-house _____
Housing 55 x 55 mm _____
Standard _____
Light switch _____
Switch number _____
Temperature _____
Humidity _____

Type Selection

Housing	Colour	LEDs	Supply by bus
55 x 55 mm	White/Black*	4 white / 4 blue	SHE5XLS4TH

*Delivered with white and black pushbutton covers

Input Specifications

Temperature Sensor range Accuracy	-40° to + 60°C (-40° to 140°F) -40° to -20°C (-40° to -4°F), 1°C -20° to +60°C (-4° to 140°F), 0.5°C
Humidity Sensor range Accuracy	5 to 95% RH ± 3%
Keypad	4 push buttons

Dupline® Specifications

Voltage	8.2 V
Maximum Dupline® voltage	10 V
Minimum Dupline® voltage	5.5 V
Maximum Dupline® current	3 mA

Output Specifications

LED	4 white / 4 blue
------------	------------------

Supply Specifications

Power supply	Supplied by bus
---------------------	-----------------



General Specifications

Address assignments	Automatic The controller recognises the module through the SIN (Specific Identification Number) that has to be inserted in the configuration tool	Weight	50 g
Environment	Degree of protection Pollution degree Operating temperature Storage temperature Humidity (non-condensing)	Approvals	cULus, according to UL60950 UL notes: Max room temperature: 40°C
Connection	Screwless detachable D+ D-	CE Marking	Yes
Housing	Back part dimensions Back part + front dimensions Back part material Push button covers	EMC	Immunity - Electrostatic discharge - Radiated radiofrequency - Burst immunity - Surge - Conducted radio frequency - Power frequency magnetic fields - Voltage dips, variations, interruptions Emission - Conducted and radiated emissions - Conducted emissions - Radiated emissions
Accessories	0.2 to 1.5 mm ² Signal GND		EN 61000-6-2 EN 61000-4-2 EN 61000-4-3 EN 61000-4-4 EN 61000-4-5 EN 61000-4-6 EN 61000-4-8 EN 61000-4-11 EN 61000-6-3 CISPR 22 (EN55022), cl. B CISPR 16-2-1 (EN55016-2-1) CISPR 16-2-3 (EN55016-2-3)

Mode of Operation

The SHE5XLS4TH is fully programmable via the SH Tool.

Each push-button, the temperature sensor and the humidity sensor can be individually associated to one or more of the functions supported by the smart-house system.

Addressing

No addressing is needed since the module is provided with a specific identification number (SIN): the user has only to insert the SIN number in the SH tool when creating the system configuration. Used channels: 4 input channels, 4 output channels.

LED programming

Also the LEDs are configurable via SH Tool:

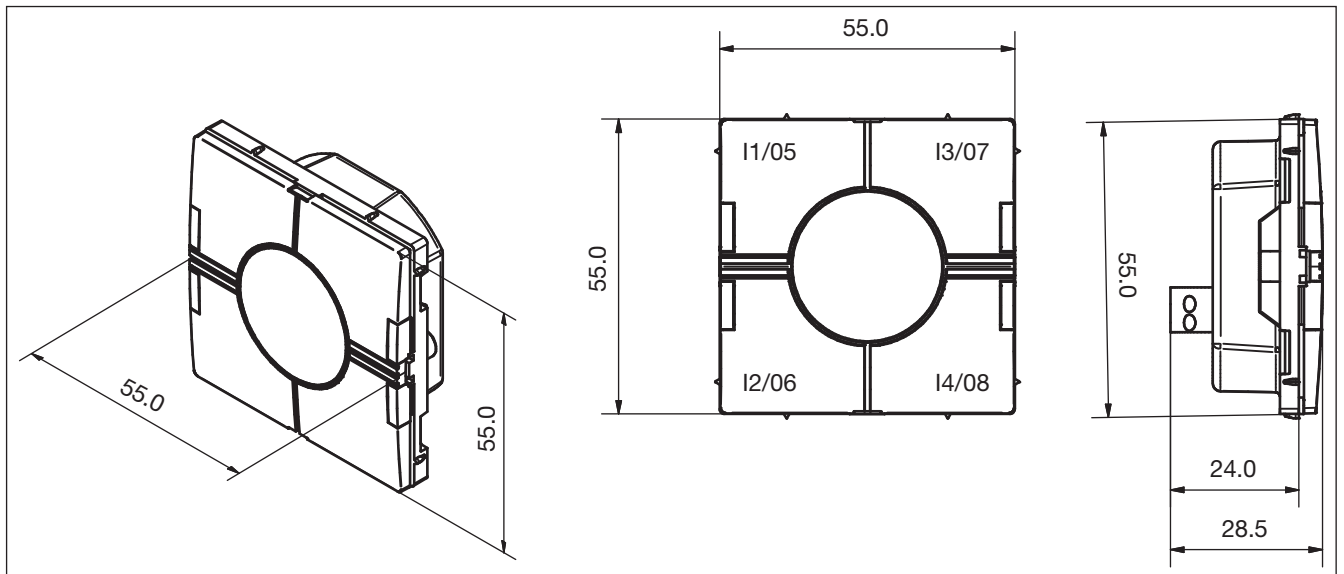
- White LEDs. The 4 white LEDs can be programmed as guide light.
 - Blue LEDs: The 4 blue LEDs can be individually programmed as function status indication.
- If the dupline bus is faulty or missing, the LED will be OFF.

Wall Socket and frame compatible with the Eunica line

The Eunica 55 x 55 light switch can fit into the frame and wall socket listed below: for any other model not included here below, Carlo Gavazzi does not grant any compatibility.

- ELKO
- GIRA
- JUNG.

Dimensions



Wiring Diagrams

