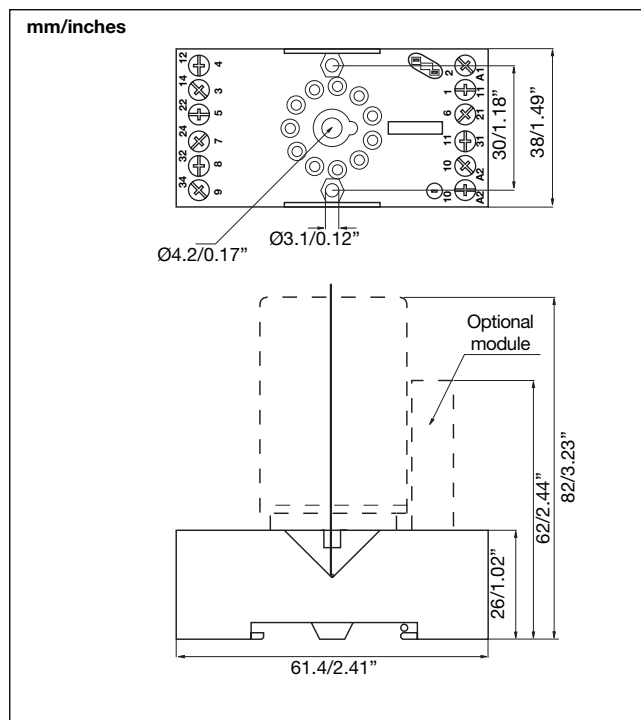
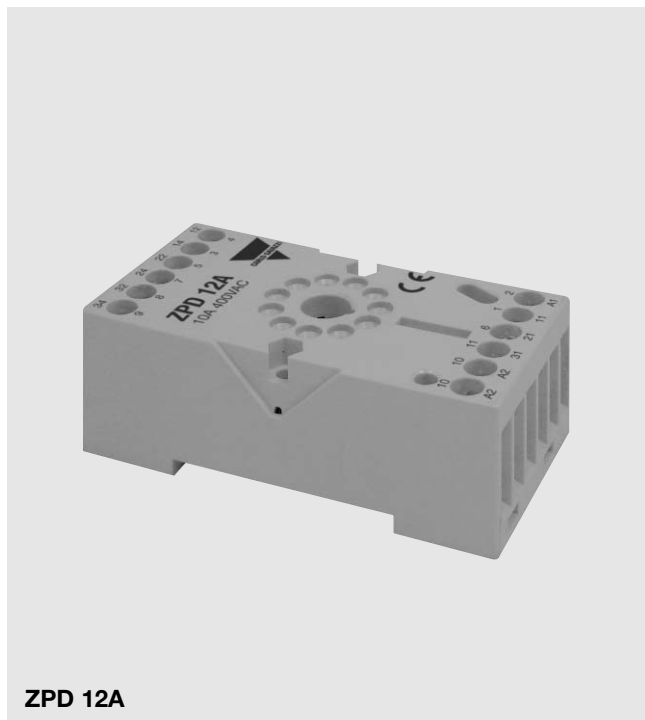


## Sockets for RCP relays

### ZPD 12A



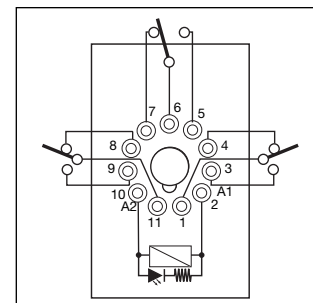
### General data

Rated voltage	400VAC
Rated current	10A
Insulation voltage	> 3kV
Protection degree	IP 20
Operating temperature range	-25° to +70°C (-13° to +158°F)
Socket material	PA66+GF (V0)
Socket colour	RAL 7035 / Pantone 1C
Terminal type	Screw cage
Screw type	M3 with combi head (slotted, Philips Gr.1, Pozi)
Maximum screw torque	1N/m
Max Wire section	2 x 2.5mm <sup>2</sup> (14AWG)
Flex / compact wire	2 x 1.5mm <sup>2</sup> (16AWG)
Cable End	
Contacts material	Nikel plated - CuZn33

### Terminal type



### Wiring diagram



### Approvals



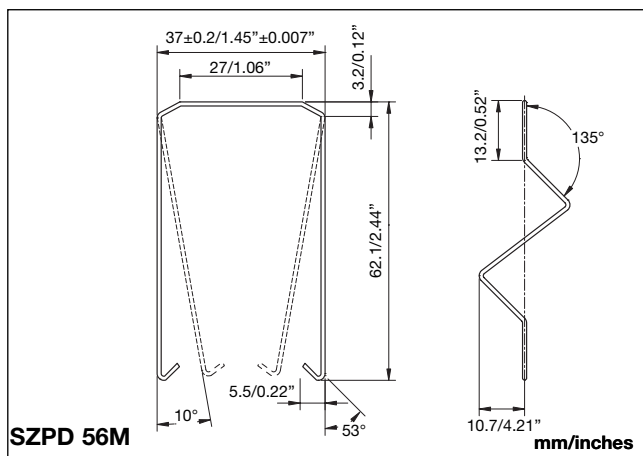
Ordering part number	ZPD12A
Box content:	10 sockets
Box size: (W 152 x D 155 x H 50) mm	Weight: 780g
(W 5.98 x D 6.10 x H 1.97) inches	Weight: 27.51oz

### Optional Accessories (to be ordered separately if required)

Hold-down spring steel	SZPD56M
Modules	

## Optional Springs for ZPD series

### SZPD 56M



### General data

Spring material

Stainless steel

#### Packaging

Box content:

1 plastic bag, 10pcs.

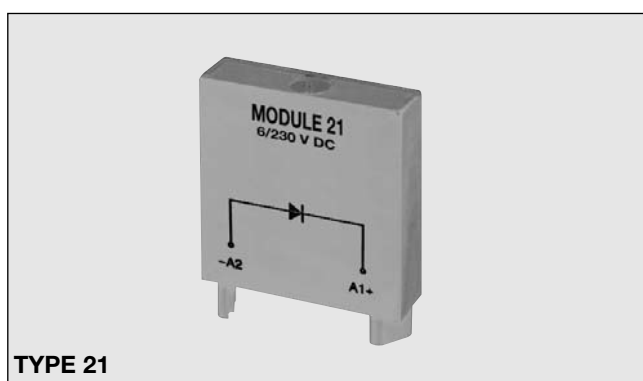
Weight:

~10g (0.36oz)

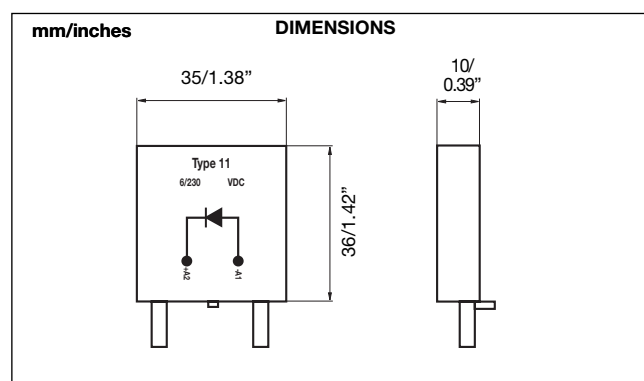


## Optional Function Modules

### Modules for ZPD sockets



TYPE 21



## Approvals



European low-voltage  
directive compliant



## General data

Module material

PA66+GF (V0)

Module colour

RAL 7035 / Pantone 1C

#### Packaging

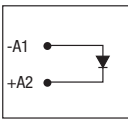
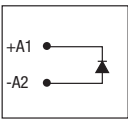
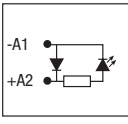
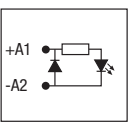
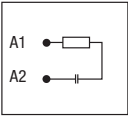
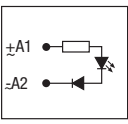
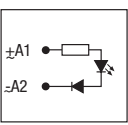
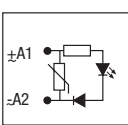
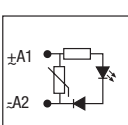
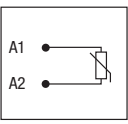
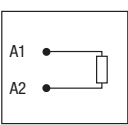
Box content:

1 bag, 20pcs

Weight:

~150g (5.29oz)

## Types and electrical configurations

Diagram	Type	Description	Operating voltage	LED Colour	Ordering code		Notes
					ZMI, ZD, ZDM Sockets	ZPD9, ZPD11	
	12	Free wheeling diode A2 +	6 / 230VDC	n.a.	MODULE12	MODULE11	
	22	Free wheeling diode A1 +	6 / 230VDC	n.a.	MODULE22	MODULE21	
	32	Free wheeling diode A2 +, with LED	6 / 24VDC	Red	MODULE32	n.a.	
			24 / 60VDC		MODULE32B		
			110 / 230VDC		MODULE32C		
			6 / 24VDC	Green**	MODULE32/G		
			24 / 60VDC		MODULE32B/G		
			110 / 230VDC		MODULE32C/G		
	42	Free wheeling diode A1 +, with LED	6 / 24VDC	Red	MODULE42		
			24 / 60VDC		MODULE42B		
			110 / 230VDC		MODULE42C		
			6 / 24VDC	Green**	MODULE42/G		
			24 / 60VDC		MODULE42B/G		
			110 / 230VDC		MODULE42C/G		
	52	RC Filter	110/240VAC	n.a.	MODULE52	MODULE51	Only for AC relays
		RC Filter	6 / 24VAC		MODULE52B	MODULE51B	
		RC Filter	24 / 60VAC		MODULE52D	MODULE51D	
	62	Signalling LED	6 / 24V	Red	MODULE62	n.a.	Can work with AC and DC Relays
	92		24 / 60V		MODULE62E		
			110 / 230V		MODULE92		
	62	Signalling LED	6 / 24V	Green**	MODULE62/G		
	92		24 / 60V		MODULE62E/G		
			110 / 230V		MODULE92/G		
	62	Signalling LED, with Varistor	6 / 24V	Red	MODULE62C		
	92		24 / 60V		MODULE62D		
			110 / 230V		MODULE92C		
	62	Signalling LED, with Varistor	6 / 24V	Green**	MODULE62C/G		
	92		24 / 60V		MODULE62D/G		
			110 / 230V		MODULE92C/G		
	72	Varistor	6 / 24VAC	n.a.	MODULE72	MODULE71	
	82		115VAC		MODULE72A	MODULE71A	
			230VAC		MODULE82	MODULE81	
	102	Resistor	110 / 230VAC	n.a.	MODULE102	n.a.	

\*\* Non standard devices normally not in stock and production upon request