

# Photoelectrics

## Retro-reflective, Polarized, Relay Output

### Type PMP

CARLO GAVAZZI



- Range: 6 m
- Modulated, visible light, polarized
- Make or break switching function (switch selectable)
- LED-indication for target detected
- Multi supply voltage:  
12 to 240 VDC and  
24 to 240 VAC, 50/60 Hz
- 25 x 65 x 81 mm reinforced PC/ABS- housing, IP 67
- Timer options (adjustable)
- NO and NC output

## Product Description

Retro-reflective photoelectric switch with polarized light. Range up to 6 m. Fixed sensitivity. Immune to ambient light. Output function switch selectable. Protection degree IP 67. Screw terminal connection.

25 x 65 x 81 mm plastic housing. PG 13.5 or 1/2" NPT cable gland. Timer options: Delay on operate, delay on release, one shot (triggered on leading or trailing edge).

## Ordering Key

**PMP 6 R G T**

Type \_\_\_\_\_  
 Range \_\_\_\_\_  
 Output \_\_\_\_\_  
 Cable gland type \_\_\_\_\_  
 Timer function \_\_\_\_\_

## Type Selection

Housing W x H x D	Range (S <sub>n</sub> )	Ordering no. with timer
25 x 65 x 81 PG 13.5 cable gland 1/2" NPT cable gland	6 m 6 m	<b>PMP 6R GT</b> <b>PMP 6R IT</b>

## Specifications

<b>Rated operating dist.</b> (S <sub>n</sub> ) (0 to 5,000 lux)	PMP6.. 6 m with reflector type ER 4, ref. target	<b>Operating frequency</b>	20 Hz
<b>Blind zone</b>	≤ 0.15 m	<b>Response time</b> OFF-ON (t <sub>ON</sub> ) ON-OFF (t <sub>OFF</sub> )	≤ 20 ms ≤ 30 ms
<b>Rated operational volt.</b> (U <sub>B</sub> ) AC: 45 to 65 Hz	10.8 to 264 VDC 21.6 to 264 VAC	<b>Power ON delay</b> (t <sub>v</sub> )	≤ 300 ms (typ. 100 ms)
<b>Rated operational power</b> (relay ON)	≤ 2 W (2.5 VA)	<b>Output function</b>	Switch selectable, make or break switching
<b>Output</b> Contact ratings (AgCdO) Resistive loads AC 1 DC 1 Small inductive loads AC 15 DC 13 Mechanical life (typical) Electrical life (typical)	μ (micro gap) 3 A/250 VAC 3 A/30 VDC 2 A/250 VAC 3 A/30 VDC ≥ 40 x 10 <sup>6</sup> operations ≥ 5 x 10 <sup>5</sup> operations at 220 VAC - 3 A resistive load: 360 impulses/h	<b>Indication</b> Target detected	LED, yellow
<b>Dielectric voltage</b>	2,000 VAC (rms) (cont./supply)	<b>Optional timer</b> Delay on operate Delay on release One shot	0.1 to 7 s ± 2 s 0.1 to 7 s ± 2 s 0.1 to 7 s ± 2 s
<b>Sensitivity</b>	Fixed	<b>Environment</b> Overvoltage category Pollution degree Degree of protection	III (IEC 60664/60664A; 60947-1) 3 (IEC 60664/60664A; 60947-1) IP 67 (IEC 60529; 60947-1)
<b>Light source</b> <b>Light type</b> <b>Optical angle</b> <b>Light spot size</b>	GaAlAs, LED, 660 nm Visible, modulated ±2° 280 mm at 4 m	<b>Temperature</b> Operating Storage	-25° to +55°C (-13° to +131°F) -30° to +80°C (-22° to +176°F)

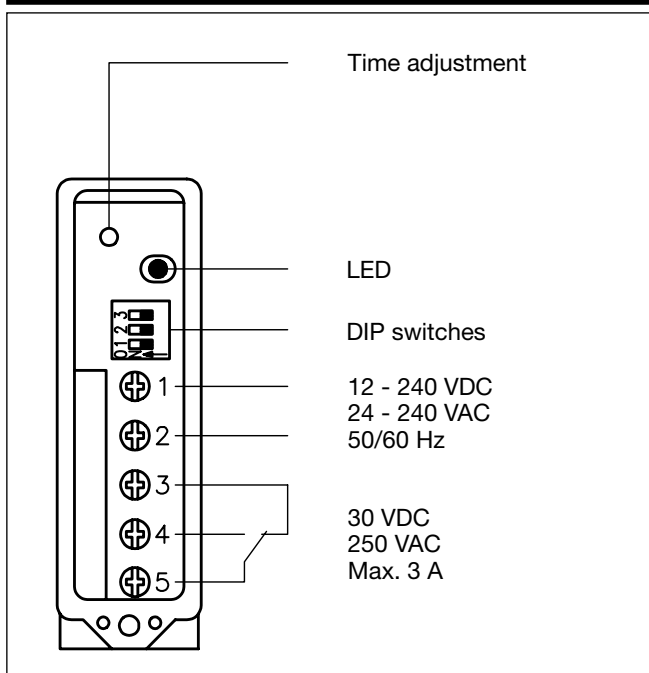
## Specifications (cont.)

<b>Vibration</b>	10 to 150 Hz, 0.5 mm/7.5 g (IEC 60068-2-6)
<b>Shock</b>	2 x 1 m & 100 x 0.5 m (IEC 60068-2-32)
<b>Rated insulation voltage</b>	250 VAC (rms)
<b>Housing material</b>	PC/ABS, grey Front PMMA, red Cover PC, black Cable gland PA, black, reinforced Mounting bracket Steel, black
<b>Connection</b>	Screw terminal 5 x 2 x 1 mm <sup>2</sup> Cable gland PG 13.5 or 1/2" NPT for cable 6 to 10 mm
<b>Weight</b>	110 g
<b>Approvals</b>	UL, CSA
<b>CE-marking</b>	Yes

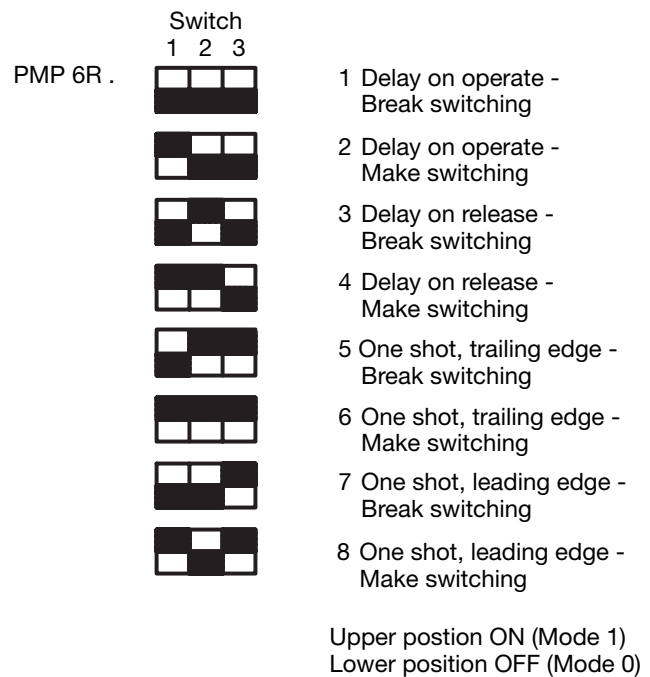
## Truth Table

	Make switching		Break switching	
	Yes	No	Yes	No
Object present	Yes	No	Yes	No
LED	OFF	ON	OFF	ON
Load	Non-active	Active	Active	Non-active

## Connection Diagram



## Selection of Function

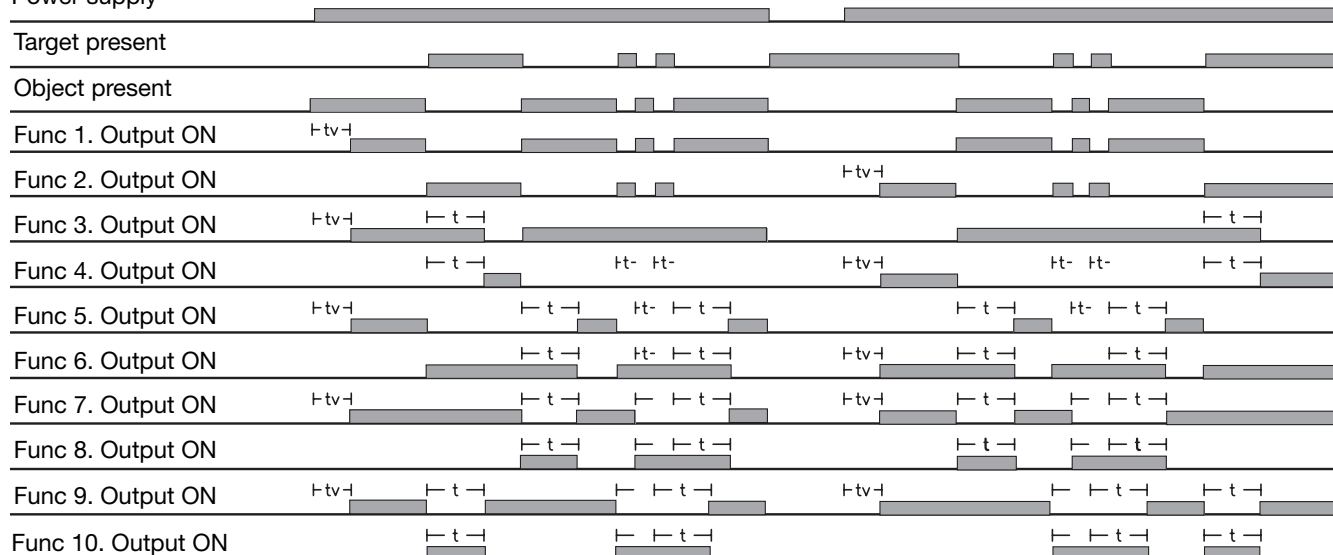


## Installation Hints

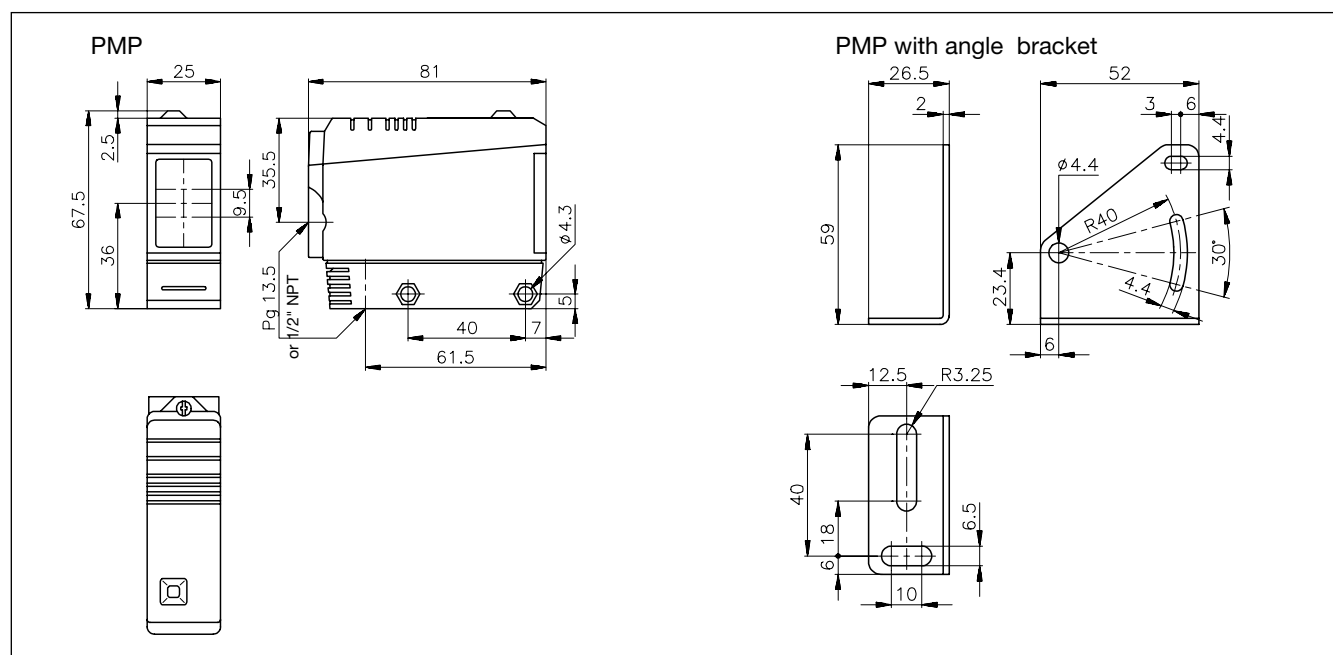
<p>To avoid interference from inductive voltage/current peaks, separate the prox. switch power cables from any other power cables, e.g. motor, contactor or solenoid cables</p>	<p>Relief of cable strain</p> <p>Incorrect</p> <p>Correct</p> <p>The cable should not be pulled</p>	<p>Protection of the sensing face</p> <p>A proximity switch should not serve as mechanical stop</p>	<p>Switch mounted on mobile carrier</p> <p>Any repetitive flexing of the cable should be avoided</p>
---	---	---	--

## Operation Diagram

t = Time delay  
 tv = Power ON delay  
 Power supply



## Dimensions



## Accessories

- Reflectors: ER series
- MB02 (longer mounting bracket)

For further information refer to "Accessories".

## Delivery Contents

- Photoelectric switch: PMP
- Cable gland
- Installation instruction
- Mounting bracket
- **Packaging:** Corrugated cardboard (environmentally friendly recycling material)