

## Ceiling-mounted motion detectors - 1-channel

### PD4N-1C-C



white mat, similar to RAL9010 , Part No. 92270      white mat, similar to RAL9010 , Part No. 92274

### Product Information

- Remote control-capable ceiling motion detector designed for corridors
- One channel for light switching
- Special optical system for detection of even the smallest movements
- Additional functions can be set up using the optional remote control.
- Uninterrupted parallel circuit detection of several detectors
- Factory settings 10 min and 500 lux
- There are markings to ensure correct alignment during installation
- **Application examples:**  
Monitoring of long corridors

### Technical Data

<b>Voltage:</b>	110 - 240 V AC 50 / 60 Hz
<b>Dimensions:</b>	SM= Ø 109 x 65 mm FC= Ø 106 x 90 mm
<b>Power consumption:</b>	approx. 0.4 W
<b>Detection area:</b>	horizontal 360° (Ceiling mounting)
<b>Range:</b>	max. 40 m x 5 m across max. 20 m x 3 m towards
<b>Monitored area (tangential movement):</b>	250 m <sup>2</sup> / 2.5 m mounting height

<b>Mounting height min./max./recommended:</b>	2.4 m / 2.6 m / 2.5 m
<b>Degree / class of protection:</b>	SM= IP44 / Class II FC= IP23 / Class II
<b>Ambient temperature:</b>	-25 °C to +50 °C
<b>Housing:</b>	polycarbonate, UV-resistant
<b>Channel 1 (lighting control)</b>	
<b>Switching power:</b>	2300 W, $\cos \varphi = 1$ 1150 VA, $\cos \varphi = 0.5$ 300 W LED max. inrush current $I_p$ (20 ms) = 165 A max. inrush current $I_p$ (200 $\mu$ s) = 800 A
<b>Type of contact:</b>	1x $\mu$ -contact, NO contact with tungsten pre-make contact
<b>Follow-up time:</b>	15 sec - 30 min, Pulse
<b>Switch-on threshold:</b>	10 - 2000 Lux

---

## Description

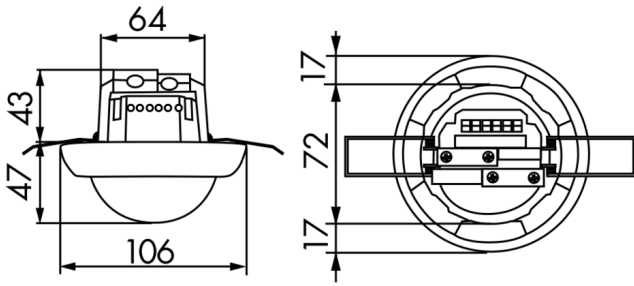
Description	Colour	Part number	EAN number
PD4N-1C-C-SM	white mat, similar to RAL9010	92270	4007529922703
PD4N-1C-C-FC	white mat, similar to RAL9010	92274	4007529922741

---

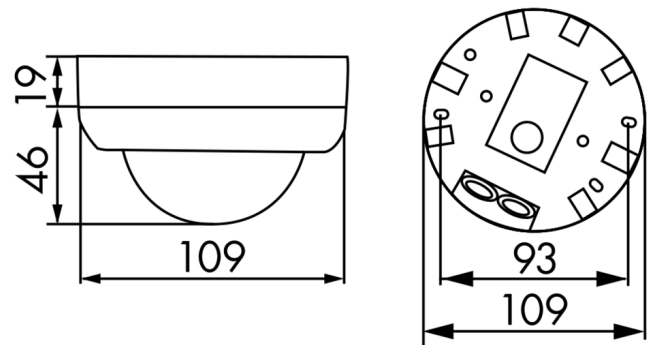
## Accessory

Description	Colour	Part number	EAN number
BLE-IR-Adapter	black	93067	4007529930678
IR-Adapter for Smartphones	black	92726	4007529927265
IR-PD3N	-	92105	4007529921058
IR-PD3/4N-1C-E	-	93110	4007529931101
IR-PD-Mini	-	92159	4007529921591
Wire basket BSK ( $\varnothing$ 200 x 90 mm)	white	92199	4007529921997
RC-Arc extinction kit	white	10880	4007529108800
Mini-RC-Arc extinction kit	black	10882	4007529108824
Wall holder PD4-SM	white	92441	4007529924417

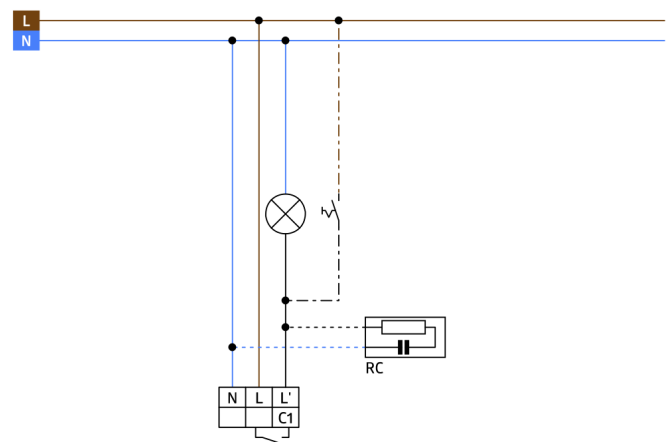
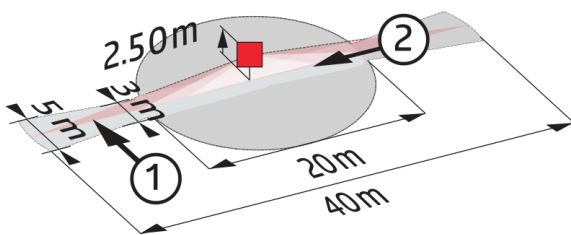
---



Dimensions 92274



Dimensions 92270



Wiring diagrams

### Range diagram

- 1: Walking across
- 2: Walking towards