

Ceiling-mounted motion detectors - 1-channel

PD3N-1C



white mat, similar to
RAL9010 , Part No. 92190



white mat, similar to
RAL9010 , Part No. 92186



white mat, similar to
RAL9010 , Part No. 92196

Product Information

- Remote control-capable ceiling motion detector
- One channel for light switching
- Special optical system for detection of even the smallest movements
- Uninterrupted parallel circuit detection of several detectors
- Manual switching via push-button possible
- Additional functions can be set up using the optional remote control.
- Factory settings 10 min and 500 lux
- **Typical applications:**
monitoring of smaller areas like stairwells, private garages, galleries, wash rooms

Technical Data

Voltage:	110 - 240 V AC 50 / 60 Hz
Dimensions:	SM= Ø 106 x 53 mm FM= Ø 106 x 63 mm FC= Ø 83 x 81 mm
Power consumption:	approx. 0.5 W
Detection area:	horizontal 360° (Ceiling mounting)
Range:	max. Ø 10 m across max. Ø 6 m towards max. Ø 4 m seated

Monitored area (tangential movement):	78 m ² / 2.5 m mounting height
Mounting height min./max./recommended:	2 m / 5 m / 2.5 m
Degree / class of protection:	SM= IP44 / Class II FM= IP20 / Class II FC= IP23 / Class II
Ambient temperature:	-25 °C to +50 °C
Housing:	polycarbonate, UV-resistant
Channel 1 (lighting control)	
Switching power:	2300 W, cos φ = 1 1150 VA, cos φ = 0.5 300 W LED max. inrush current I _p (20 ms) = 165 A max. inrush current I _p (200 μs) = 800 A
Type of contact:	1x μ-contact, NO contact with tungsten pre-make contact
Follow-up time:	15 sec - 30 min, Pulse
Switch-on threshold:	10 - 2000 Lux

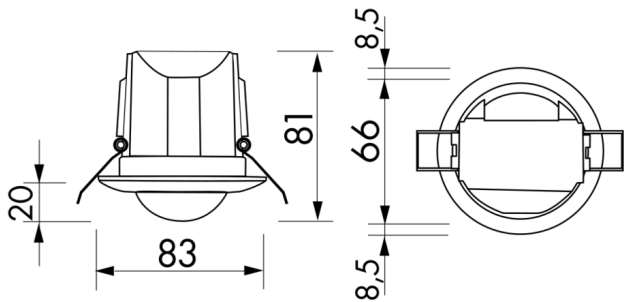
Description

Description	Colour	Part number	EAN number
PD3N-1C-SM	white mat, similar to RAL9010	92190	4007529921904
PD3N-1C-FM	white mat, similar to RAL9010	92186	4007529921867
PD3N-1C-FC	white mat, similar to RAL9010	92196	4007529921966

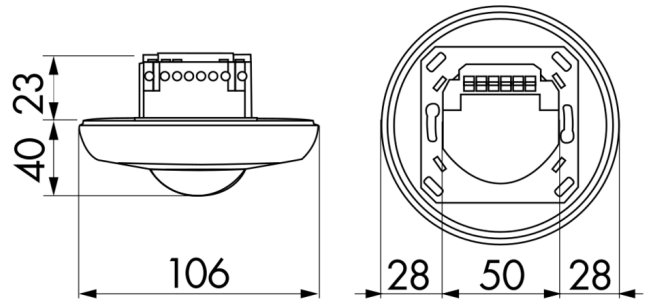
Accessory

Description	Colour	Part number	EAN number
IR-Adapter for Smartphones	black	92726	4007529927265
IR-PD3/4N-1C-E	-	93110	4007529931101
IR-PD3N	-	92105	4007529921058
IR-PD-Mini	-	92159	4007529921591
Wire basket BSK (Ø 200 x 90 mm)	white	92199	4007529921997
RC-Arc extinction kit	white	10880	4007529108800
Mini-RC-Arc extinction kit	black	10882	4007529108824

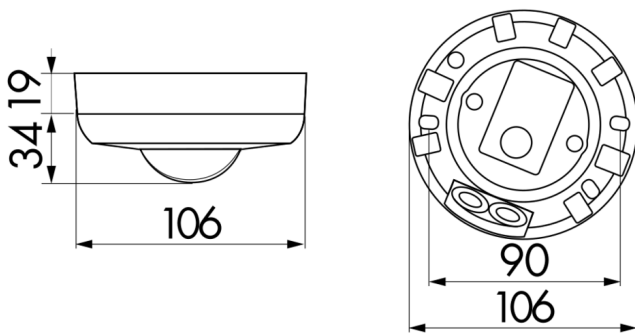
Description	Colour	Part number	EAN number
Square design frame PD3N-FC	white mat, similar to RAL9010	92991	4007529929917
BLE-IR-Adapter	black	93067	4007529930678



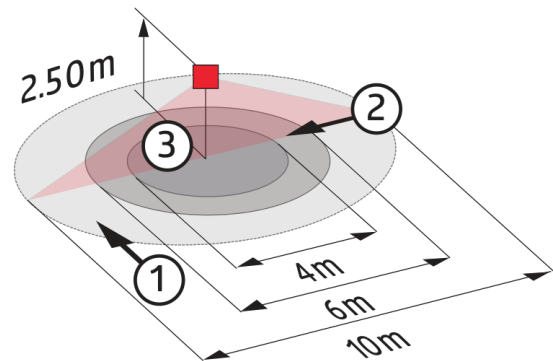
Dimensions 92196



Dimensions 92186

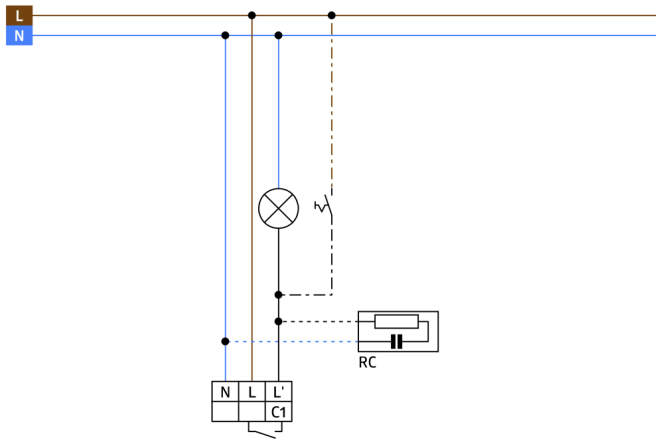


Dimensions 92190



Range diagram

- 1: Walking across
- 2: Walking towards
- 3: Seated activity



Wiring diagrams

© 2021 B.E.G. Brück Electronic GmbH