

Receiver for Digital Signals

Types G 3430 5511, G 3430 5521



- 8-channel receiver
- Optoisolated NPN (sink) or PNP (source) transistor outputs
- Load: 8 x 0.7 A/60 VDC
- Reverse-polarity protection
- H4-housing
- For mounting on DIN-rail (EN 50022)
- LED-indications for supply and Dupline[®] carrier
- AC or DC power supply
- Channel coding by GAP 1605

Product Description

Dupline[®] receiver. transistor outputs for control
Open collector NPN or PNP of loads up to 60 VDC/0.7 A.

Ordering Key

G 3430 5521 024

Type: Dupline[®] _____
H4-housing _____
Receiver _____
No. of channels _____
Output type _____
Power supply _____

Type Selection

Supply	Ordering no. 8 channels 0.7 A/60 VDC NPN transistor	Ordering no. 8 channels 0.7 A/60 VDC PNP transistor
24 VAC	G 3430 5511 024	G 3430 5521 024
115 VAC	G 3430 5511 115	G 3430 5521 115
230 VAC	G 3430 5511 230	G 3430 5521 230
10 to 30 VDC	G 3430 5511 800	G 3430 5521 800

Output Specifications

	G 3430 5511 ... (8 channels)	G 3430 5521 ... (8 channels)
Outputs	8 NPN transistors	8 PNP transistors
Isolated in groups of	1 x 8	1 x 8
Output voltage range V_{BB}	6 to 60 VDC	6 to 60 VDC
Reverse-polarity protection	Yes	Yes
Current per output (25°C)	≤ 0.7 A	≤ 0.7 A
Total load capability (25°C)	51%	51%
Short-circuit protection	None	None
Built-in protective diodes	None	None
Off-state leakage current	≤ 100 μA	≤ 100 μA
Output voltage drop	≤ 1.5 VDC	≤ 1.5 VDC
Dielectric voltage		
Outputs - Dupline [®]	≥ 4 kVAC (rms)	≥ 4 kVAC (rms)

Supply Specifications

Power supply AC types	Overvoltage cat. III (IEC 60664)
Rated operational voltage terminals 21 & 22	230 VAC ± 15% (IEC 60038)
	115 VAC ± 15% (IEC 60038)
	24 VAC ± 15%
Frequency	45 to 65 Hz
Voltage interruption	≤ 40 ms
Rated operational power	Typ. 3.5 VA
Rated impulse withstand voltage	230 4 kV
	115 2.5 kV
	024 800 V
Dielectric voltage	
Supply - Dupline®	≥ 4 kVAC (rms)
Supply - Outputs	≥ 4 kVAC (rms)

Power supply DC types	Overvoltage cat. III (IEC 60664)
Rated operational voltage terminals 21 & 22	800 10 to 30 VDC (ripple included)
Ripple	≤ 3 V
Reverse-polarity protection	Yes
Rated operational current	≤ 150 mA
Inrush current	≤ 1 A
Rated impulse withstand voltage	800 V
Dielectric voltage	
Supply - Dupline®	≥ 200 VAC (rms)
Supply - Outputs	≥ 4 kVAC (rms)

General Specifications

Power ON delay	Typ. 2 s
Power OFF delay	≤ 1 s
Output OFF delay upon loss of Dupline® carrier	≤ 20 ms
Indication for Supply ON Dupline® carrier	LED, green LED, yellow
Environment	
Degree of protection	IP 20
Pollution degree	3 (IEC 60664)
Operating temperature	-20° to +50°C (-4° to +122°F)
Storage temperature	-50° to +85°C (-58° to +185°F)
Humidity (non-condensing)	20 to 80%
Mechanical resistance	
Shock	15 G (11 ms)
Vibration	2 G (6 to 55 Hz)
Dimensions	
Material (see Technical information)	4H-housing
Weight	
AC types	250 g
DC types	200 g

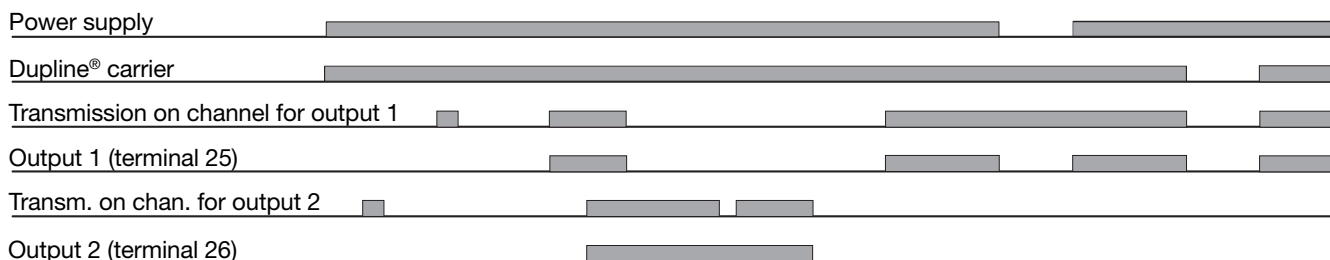
Mode of Operation

G 3430 55.1 ... 8-channel receivers with 8 open collector NPN or PNP outputs

Each output may be coded individually by means of the code programmer GAP 1605. See separate data sheet.

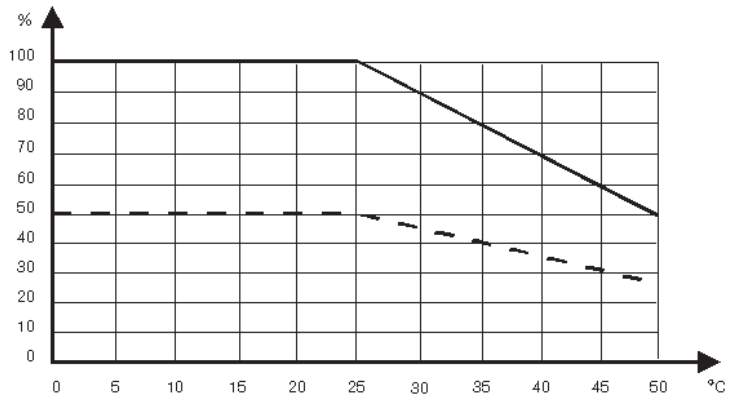
The outputs are normally off. When a transmitter coded to the selected channel is activated, the output turns on and remains on until the respective channel becomes deactivated (interruption or short-circuiting of Dupline® carrier).

Operation Diagram



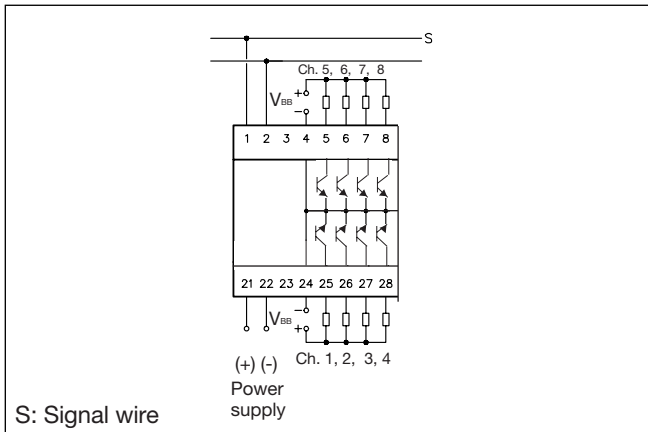
Derating Curve

The curve shows the current allowed per output at different temperatures. The dotted line indicates the total load capability per receiver at different temperatures.

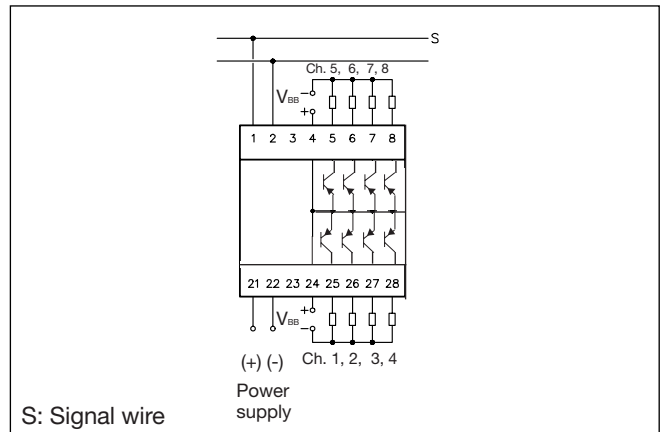


Wiring Diagrams

G 3430 5511 ... 8 channels
Open collector NPN transistor output



G 3430 5521 ... 8 channels
Open collector PNP transistor output



Accessories

DIN-rail FMD 411

For further information, see "Accessories".