

Ficha Técnica
Technical Data Sheet



| Descripción | Description |
|-------------------------------------------------------------------------------------------------------------------------------------------------------------------------------------------------------------------------------------------------------------------------------------------|--------------------------------------------------------------------------------------------------------------------------------------------------------------------------------------------------------------------------------------------------------------------------|
| - Instalación en superficie sobre pared o en báculo mediante bridas. - Dispone de un led de conexión/desconexión que facilita la identificación de estado - Incorpora retardo de maniobra para evitar actuaciones falsas por destellos luminosos - Contacto simple con potencial | - Installation: Surface on wall or by cable tie on the lamp post - The ORBILUX incorporates an OFF/ON LED for status identification - It includes an operation delay to prevent false operation due to artificial lights - Single "wet" contact, (with voltage) |
| Aplicaciones | Areas of application |
| Ideal para iluminación de escaparates, portales, señalización, carteles luminosos, etc. | Ideal for shop windows lighting, entrance gates, illuminated signs, etc... |

| Modelos | ORBILUX |
|---------|---------|
| Models | |

| Características técnicas | | | |
|----------------------------------------------------------------|-----------------|--|----------------------------------------------|
| Technical data | | | |
| Alimentación (otras tensiones disponibles - ver tabla códigos) | V c.a. | | 230 ± 10 % |
| Power supply (other voltages available - see codes chart) | V AC | | |
| Frecuencia nominal | Hz | | 50-60 |
| Nominal frequency | | | |
| Consumo propio (50 Hz) | W | | 0,7 W (3,4 VA) |
| Stand-by consumption (50 Hz) | | | 0.7 W (3.4 VA) |
| Poder de ruptura | | | μ 16 A / 230 V~ cosφ = 1 |
| Switching capacity | | | |
| Detección de paso por cero | | | No |
| Zero-cross switching | | | |
| Número de circuitos | | | 1 |
| Number of circuits | | | |
| Parámetros regulables | | | Sensibilidad lumínica |
| Adjustable parameters | | | Brightrness range |
| Sensibilidad lumínica | | | 5 - 200 lux (Log) |
| Brightrness range | | | |
| Nivel de apagado (Histerésis) | | | 1,3 x Nivel de encendido |
| Switch-off level (Hysteresis) | | | 1.3 x Switch-on level |
| Retardo de encendido y apagado | s | | 30 aprox. |
| Delay ON and off time | | | |
| Clase de protección | | | Clase II en condiciones correctas de montaje |
| Protection class | | | Class II in correct mounting conditions |
| Grado de protección | | | IP 55 según EN 60529 |
| Degree of protection | | | IP 55 according to EN 60529 |
| Montaje del equipo | | | Pared (superficie) |
| Method of mounting control | | | Sobre poste |
| | | | Wall (surface) |
| | | | On lamppost |
| Conexión | | | borne de tornillo |
| Connection | | | screw terminals |
| Sección de conductor | mm ² | | 1 ... 2,5 |
| Wire cross section | | | 1 ... 2.5 |
| Temperatura de funcionamiento | °C | | -25 ... +60 |
| Operating temperature | | | |
| Temperatura de transporte y almacenamiento | °C | | -35 ... +70 |
| Transportation and storage temperature | | | |
| Dimensiones exteriores | mm | | 52 x 70 x 93 |
| External dimensions | | | |
| Peso neto | g | | 115 |
| Net weight | | | |

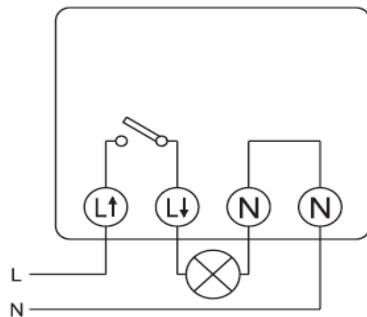
DT1320F1001 - 04 - 12/2015

Cargas máximas recomendadas
Maximum recommended load

| Incandescentes <i>Incandescent</i> | Fluorescentes <i>Fluorescent</i> | Halógenas baja tensión (12 V c.a.) <i>Low voltage halogen (12 V AC)</i> | Halógenas (230 Vc.a.) <i>Halogen (230 V AC)</i> | Lámparas bajo consumo <i>Low consumption lamps</i> | Downlights <i>Downlights</i> | LED |
|---------------------------------------|-------------------------------------|-------------------------------------------------------------------------------|----------------------------------------------------|-------------------------------------------------------|---------------------------------|-------|
| | | | | | | |
| 3000 W | 1000 VA | 2000 VA | 3000 W | 500 VA | 400 VA | 90 VA |

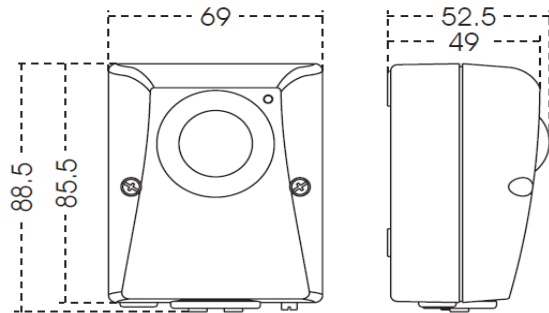
Conexión

Wiring diagram



Dimensiones exteriores

Overall dimensions



Accesorios / Opciones

Accessories / Options available

| Código <i>Code:</i> | Código <i>Code:</i> | Código <i>Code:</i> |
|------------------------|------------------------|------------------------|
| | | |
| | | |
| | | |
| | | |
| | | |

| | |
|-----------------------|----------------|
| Código <i>Code</i> | ORBILUX |
| 230 V AC | OB132012 |
| | |
| | |
| | |
| | |

Marcado

Approvals and marking



Directivas de referencia

Reference Directives

2004/108/EC (EMC); 2006/95/EC (LVD); 2011/65/EC (RoHS)

Normas de referencia

Reference standards

EN 60669-1:1999 + A1:2002 + A2:2008; EN 60669-2-1:2004 + A1:2009 +A12:2010