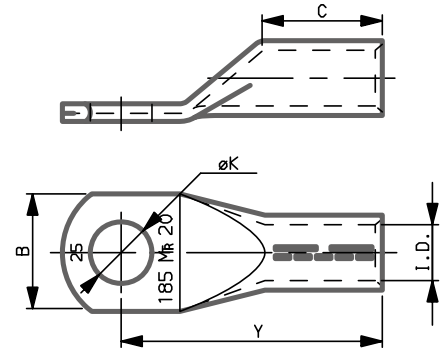


# YCA

NON INSULATED TERMINALS FROM 6 TO 1000 mm<sup>2</sup> ACCORDING DIN46235



**DIN**

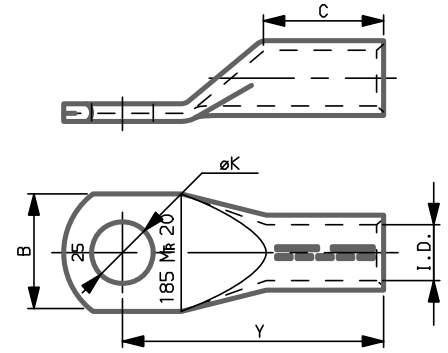
CABLE SECTION	STUD HOLE M	CATALOGUE NO.	DIE CODE KZ	DIMENSIONS				
				I.D.	Y	B	c	ØK
6	5	YCA06M5	5	3,8	24	8,5	10	5,3
	6	YCA06M6			24	8,5		6,4
	8	YCA06M8			24	13		8,4
10	5	YCA010M5	6	4,5	27	9	10	5,3
	6	YCA010M6			27	9		6,4
	8	YCA010M8			29	13		8,4
16	6	YCA016M6	8	5,5	36	13	20	6,4
	8	YCA016M8			36	13		8,4
	10	YCA016M10			36	17		10,5
	12	YCA016M12			36	18		13,2
25	6	YCA025M6	10	7	38	14	20	6,4
	8	YCA025M8			38	16		8,4
	10	YCA025M10			38	17		10,5
	12	YCA025M12			38	19		13,2
35	6	YCA035M6	12	8,2	42	17	20	6,4
	8	YCA035M8			42	17		8,4
	10	YCA035M10			42	19		10,5
	12	YCA035M12			42	21		13,2
	14	YCA035M14			42	21		15
50	8	YCA050M8	14	10	52	20	28	8,4
	10	YCA050M10			52	22		10,5
	12	YCA050M12			52	24		13,2
	14	YCA050M14			52	24		15
	16	YCA050M16			52	28		17
70	8	YCA070M8	16	11,5	55	24	28	8,4
	10	YCA070M10			55	24		10,5
	12	YCA070M12			55	24		13,2
	14	YCA070M14			55	24		15
	16	YCA070M16			55	30		17
95	8	YCA095M8	18	13,5	65	28	35	8,4
	10	YCA095M10			65	28		10,5
	12	YCA095M12			65	28		13,2
	14	YCA095M14			65	28		15
	16	YCA095M16			65	32		17

ADD "TN" AT THE END FOR THE PART NUMBER FOR TIN PLATED CONNECTORS - CONSULT COMPRESSION TOOLING AND DIES IN PAGE 154



# YCA

NON INSULATED TERMINALS FROM 6 TO 1000 mm<sup>2</sup> ACCORDING DIN46235



**DIN**

CABLE SECTION	STUD HOLE M	CATALOGUE NO.	DIE CODE KZ	DIMENSIONS				
				I.D.	Y	B	C	ØK
120	10	YCA0120M10	20	15,5	70	32	35	10,5
	12	YCA0120M12			70	32		13,2
	14	YCA0120M14			70	32		15
	16	YCA0120M16			73	32		17
	20	YCA0120M20			77	38		21
150	10	YCA0150M10	22	17	78	34	35	10,5
	12	YCA0150M12			78	34		13,2
	14	YCA0150M14			78	34		15
	16	YCA0150M16			81	34		17
	20	YCA0150M20			85	40		21
185	10	YCA0185M10	25	19	82	37	40	10,5
	12	YCA0185M12			82	37		13,2
	14	YCA0185M14			82	37		15
	16	YCA0185M16			85	37		17
	20	YCA0185M20			88	40		21
240	12	YCA0240M12	28	21,5	92	42	40	13,2
	14	YCA0240M14			92	42		15
	16	YCA0240M16			92	42		17
	20	YCA0240M20			92	45		21
300	14	YCA0300M14	32	24,5	100	48	50	15
	16	YCA0300M16			100	48		17
	20	YCA0300M20			100	48		21
400	14	YCA0400M14	38	27,5	115	55	70	15
	16	YCA0400M16			115	55		17
	20	YCA0400M20			115	55		21
500	16	YCA500M16	42	31	125	60	70	17
	20	YCA500M20			125	60		21
625 - 630	16	YCA630M16	44	34,5	135	60	80	17
	20	YCA630M20			135	60		21
800	20	YCA800M20	52	40	165	75	100	21
1000	20	YCA1000M20	58	44	165	85	100	21



ADD "TN" AT THE END FOR THE PART NUMBER FOR TIN PLATED CONNECTORS - CONSULT COMPRESSION TOOLING AND DIES IN PAGE 154