

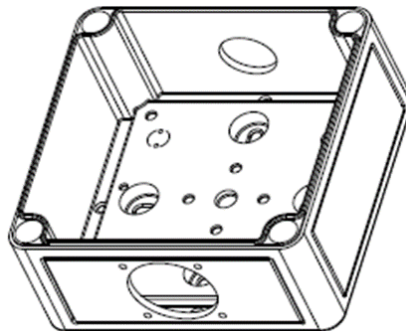
Wall mounting box-IP66-110x110x66

- Two-piece AP plastic housing
- Reworked for round mounting cutout
- Protection class IP65 according to IEC 60529



Mechanical data

Criterion	Data / Value	
Protection class	IP66	IEC 60529
Mounting cutout	Interbus Variante 06	IEC 61076-3-106
Impact strength (+35°C / -25°C)	IK08 / IK08	EN 62262
Fire protection class UL-746C	5V/-	
Ambient temperature (operation)	-50 °C ... 100 °C	
Color	Grey RAL 7035	



Technical data

Criterion	Data / Value
Material housing	PC (Polycarbonat) RAL 7035
Seal	PUR (Polyurethan)
Cover screws	PC (Polycarbonat) RAL7035
Licence to practise medicine	UL, cUL,
Torque of the cover screws	1.2Nm
Mounting method:	wall-/ ceiling mounting
Sealable	yes
Stackable	yes
Drill holes:	
exit:	1x30mm / 8x2.5mm
Input:	2x20.5mm

Wall mounting box-IP66-110x110x66

Order information

Designation	part number	Packing unit	Minimum order quantity
Wall mounting box-IP66-110x110x66	873770	1 pc.	1 pc
Mounting Frame FM45 IP67	309588	1 pc.	1 pc
Protection Cap FM45 IP67	309589	1 pc	1 pc



Installations / Accessories

Designation	part number	Packing unit t	Minimum order quantity
A) Cat.6A ISO/s	509504	1 pc	10 pc
B) Cat.6A ISO/u	509500	1 pc	10 pc
C) Cat.6A EL/s	813504	1 pc	10 pc
D) Cat.6A EL/u	813506	1 pc	10 pc
E) Cat.6/s	302372	1 pc	10 pc
F) Cat.6/u	302373	1 pc	10 pc



A



B



C



D



E



F