

# Fuse Base

## Series 8561/02



www.stahl.de



- > For DIAZED System fuse links
- > Rated working voltage up to 500 V
- > Rated working current up to 63 A
- > Defective fuse link detectable externally



03147E00

E9

Series 8561/02 fuse bases are fitted with commercially-available DIAZED System fuse links. They are used mainly in Ex e distribution fuse boards to protect the outgoing load circuits or as back-up protection for the equipment.

|            | ATEX / IECEx |   |   |    |    |    |
|------------|--------------|---|---|----|----|----|
| Zone       | 0            | 1 | 2 | 20 | 21 | 22 |
| For use in |              | x | x |    |    |    |

**Selection Table**

| Version   | Size  | Thread size | Order number | Weight |
|-----------|-------|-------------|--------------|--------|
|           |       |             |              | kg     |
| Fuse base | D II  | E27         | 8561/02-11   | 0.785  |
|           | D III | E33         | 8561/02-12   | 0.748  |

**WebCode 8561B**

# Fuse Base

## Series 8561/02

### Explosion Protection

#### Global (IECEX)

|     |  |
|-----|--|
| Gas | IECEX PTB 06.0063U<br>Ex d e IIC Gb<br>Ex d e I Mb |
|-----|--|

#### Europe (ATEX)

|     |   |
|-----|---|
| Gas | PTB 02 ATEX 1028 U<br>⊕ II 2 G Ex d e IIC Gb<br>⊕ I M 2 Ex d e I Mb |
|-----|---|

### Certifications and certificates

|              |  |
|--------------|--|
| Certificates | IECEX, ATEX, Brazil (INMETRO), Serbia (SRPS) |
|--------------|--|

### Technical Data

#### Electrical data

|                                    |  |
|------------------------------------|--|
| Rated insulation voltage           | 690 V  |
| Rated operational voltage          | 500 V AC/DC  |
| Rated operational current<br>$I_e$ | DII 25 A, DIII 63 A  |
| Operating class                    | gG   |
| Characteristic                     | time-lag<br>class gL/gG, gTr acc. to VDE 0636, 0635, IEC 60269 |


#### Ambient conditions

|                     |                   |
|---------------------|-------------------|
| Ambient temperature | -55 °C ... +40 °C |
|---------------------|-------------------|

#### Mechanical data

|                    |   |
|--------------------|---|
| Enclosure material | Epoxy resin   |
| Screw cap fixing   | M4, Socket head cap screw   |
| Connection type    | 2 x 1,5 ... 16 mm <sup>2</sup> clamp terminals  |
| Note               | DIAZED system fuses. A defective fuse link can be detected externally by means of the indicator. Fuse links may only be exchanged after disconnecting power supply. |


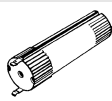

### Accessories and Spare Parts

| Designation | Figure  | Description | Art. no. | Weight |       |
|-------------|---|-------------|----------|--------|-------|
|             |   |             |          | kg     |       |
| Fuse        | <br>05162E00 | 8561/02-11  | 2 A      | 111270 | 0.024 |
|             |   | 8561/02-11  | 4 A      | 111271 | 0.024 |
|             |   | 8561/02-11  | 6 A      | 111272 | 0.024 |
|             |   | 8561/02-11  | 10 A     | 111273 | 0.027 |
|             |   | 8561/02-11  | 16 A     | 111274 | 0.029 |
|             |   | 8561/02-11  | 20 A     | 111275 | 0.028 |
|             |   | 8561/02-11  | 25 A     | 111276 | 0.029 |
|             |   | 8561/02-12  | 35 A     | 111267 | 0.047 |
|             |   | 8561/02-12  | 50 A     | 111268 | 0.049 |
|             |   | 8561/02-12  | 63 A     | 111269 | 0.051 |

# Fuse Base

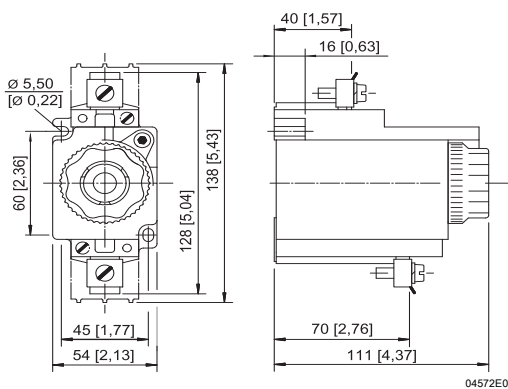
## Series 8561/02



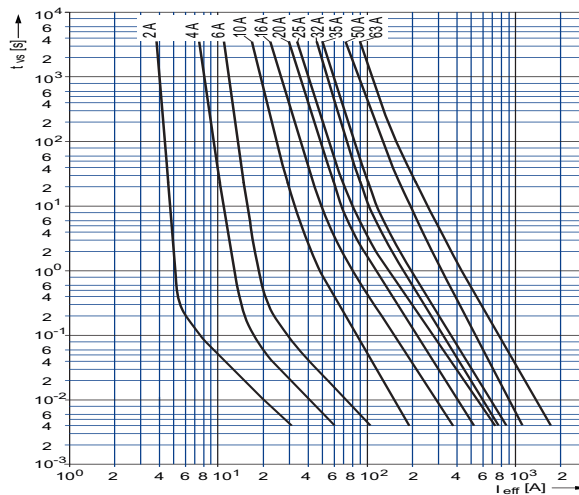
| Accessories and Spare Parts |   |                                   |               |               |       |
|-----------------------------|---|-----------------------------------|---------------|---------------|-------|
| Designation                 | Figure  | Description                       | Art. no.      | Weight        |       |
| Adaptor screw               | <br>05163E00   | 8561/02-11                        | 2 A           | <b>111650</b> | 0.012 |
|                             |   | 8561/02-11                        | 4 A           | <b>111651</b> | 0.012 |
|                             |   | 8561/02-11                        | 6 A           | <b>111652</b> | 0.012 |
|                             |   | 8561/02-11                        | 10 A          | <b>111653</b> | 0.012 |
|                             |   | 8561/02-11                        | 16 A          | <b>111654</b> | 0.012 |
|                             |   | 8561/02-11                        | 20 A          | <b>111655</b> | 0.012 |
|                             |   | 8561/02-11                        | 25 A          | <b>111656</b> | 0.011 |
|                             |   | 8561/02-12                        | 35 A          | <b>111657</b> | 0.019 |
|                             |   | 8561/02-12                        | 50 A          | <b>111658</b> | 0.049 |
|                             |   | 8561/02-12                        | 63 A          | <b>111659</b> | 0.017 |
| Adaptor screw fitter        | <br>05160E00 | for replacement of adapter Diazed | <b>111660</b> | 0.018         |       |
| Terminal cover              | <br>05161E00 | IP10 cover                        | <b>149225</b> | 0.008         |       |

E9

### Dimensional Drawings (All Dimensions in mm) - Subject to Alterations



8561/02 Fuse base



Current/time characteristic for fuses  
(tolerance max.  $\pm 10\%$ )

We reserve the right to make alterations to the technical data, dimensions, weights, designs and products available without notice. The illustrations cannot be considered binding.

**Fuse Base**  
Series 8561/02