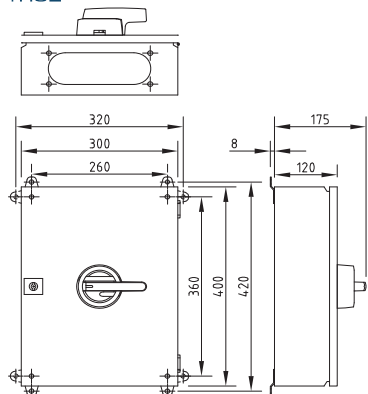


SHEET STEEL ENCLOSED SAFETY SWITCHES 80-1000A

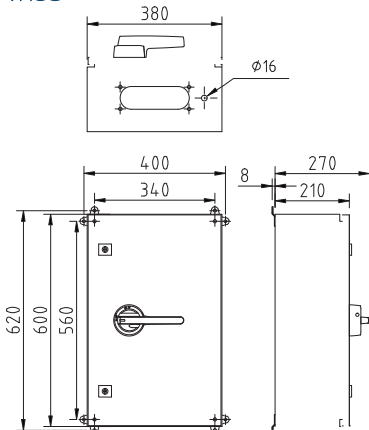


- IP 65; Enclosure types TR02, TR03, TR04, TR05, TR06, TR07
- Material: steel plate
- Electrophoretic coating
- Surface finishing by powder coating
- Good corrosion resistance
- Padlockable 

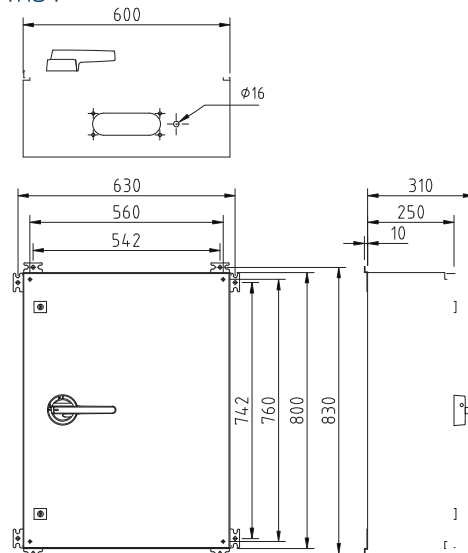
TR02

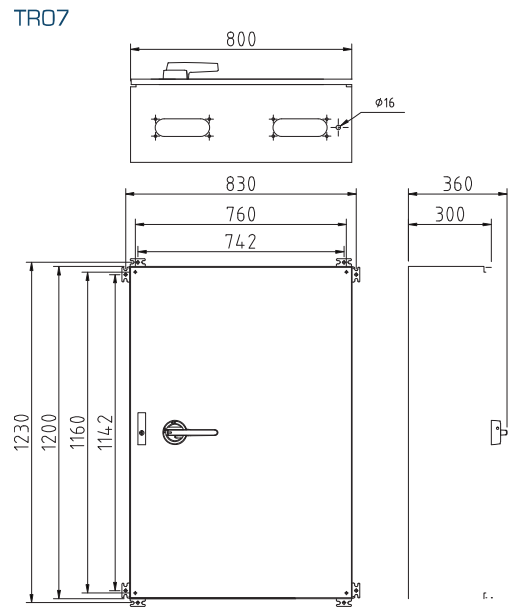
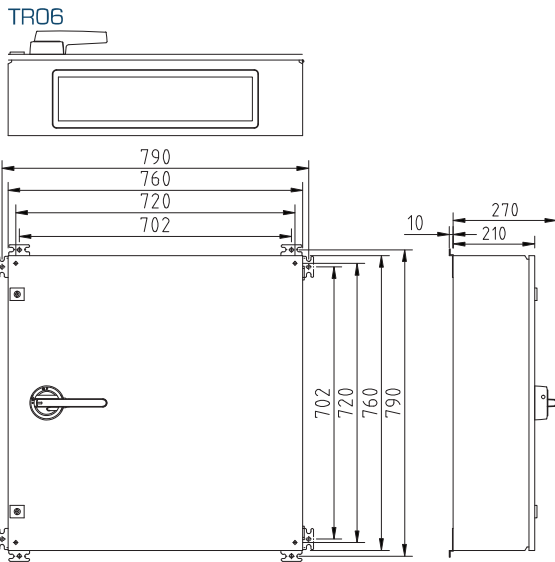


TR03



TR04





Type	AC-23 / 400V	AC-23 / 690 V	Poles	Enclosure	EAN code 6419410...	E-NO	Weight kg
KUT 380T1.V	80 A / 45 kW	80 A / 55 kW	3P	TR02	...370100	3600650	8,1
KUT 680T1.V			6P	TR02	...371206	3600683	8,6
KUT 3125VT1.V	125 A / 55 kW	125 A / 90 kW	3P	TR02	...370308	3600651	9,7
KUT 6125T1.V			6P	TR02	...371305	3600573	10
KUT 3200VT1.V	200 A / 110 kW	200 A / 160 kW	3P	TR03	...374016	3600662	20
KUT 6200VT1.V			6P	TR04	...371800	3600689	40
KUT 3200YVT1.V			3P	TR03	...374108	3600664	20
KUT 6200YVT1.V			6P	TR04	...371909	3600690	40
KUT 3200AVT1.V			3P	TR03	...374207	3600666	20
KUT 6200AVT1.V			6P	TR04	...372005	3600691	40
KUT 3250VT1.V	250 A / 132 kW	250 A / 250 kW	3P	TR03	...374603	3600672	20
KUT 6250VT1.V			6P	TR04	...372104	3600694	40
KUT 3250YVT1.V			3P	TR03	...374702	3600674	20
KUT 6250YVT1.V			6P	TR04	...372203	3600695	40
KUT 3250AVT1.V			3P	TR03	...374801	3600676	20
KUT 6250AVT1.V			6P	TR04	...372302	3600696	40
KUT 3400VT1.V	400 A / 200 kW	400 A / 355 kW	3P	TR04	...375204	3600680	39
KUT 6400VT1.V			6P	TR06	...372401	3600698	47
KUT 3630VT1.V	630 A / 355 kW	500 A / 500 kW	3P	TR04	...375402	3600682	39
KUT 6630VT1.V			6P	TR0*	...372500	3600699	
KUT 3800T1.V	800 A / 400 kW	800 A / 710 kW	3P	TR07	...376003	3600688	60
KUT 31000T1.V	1000 A / 560 kW	1000 A / 800 kW	3P	TR07	...376102	3600750	75