
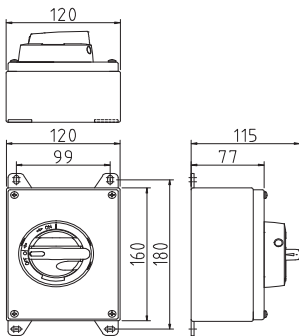


STAINLESS STEEL ENCLOSED SAFETY SWITCHES 25-1000A

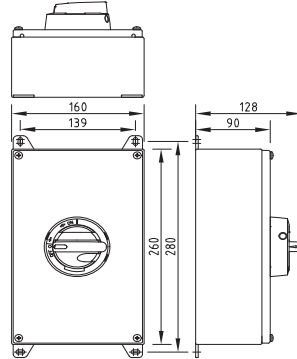


- IP 66; Enclosure types H23, H32, H02 (AISI 316)
- IP 65; Enclosure types H03, H04, H06, H07 (AISI 316 or AISI 304)
- To environments where hygiene and corrosion resistance are important
- Meets AISI 316 requirements (acid proof) or AISI 304 (stainless steel)
- Padlockable 
- Over 80 A: cable entries must be declared when ordering
- Available as EMC (1000A), EX (250A) or EMC/EX (250A) protected
- Available as IP69K version with LK11 handle (see p.52) 25-63A (H23 & H32 enclosures)

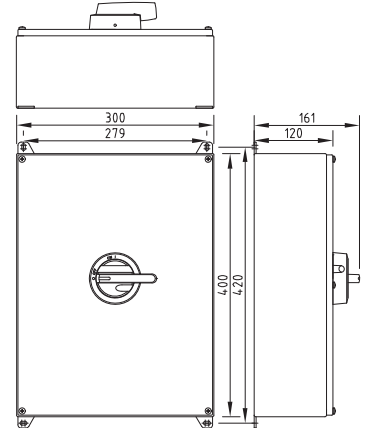
H23



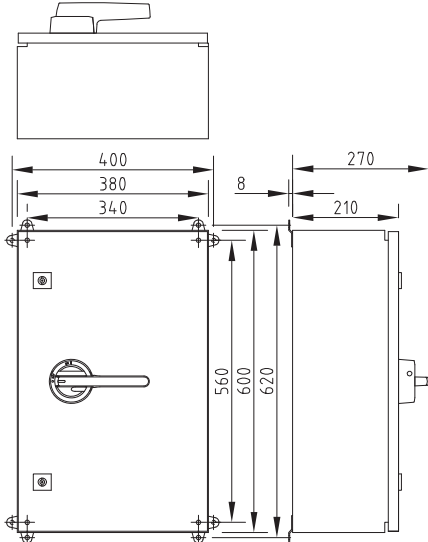
H32



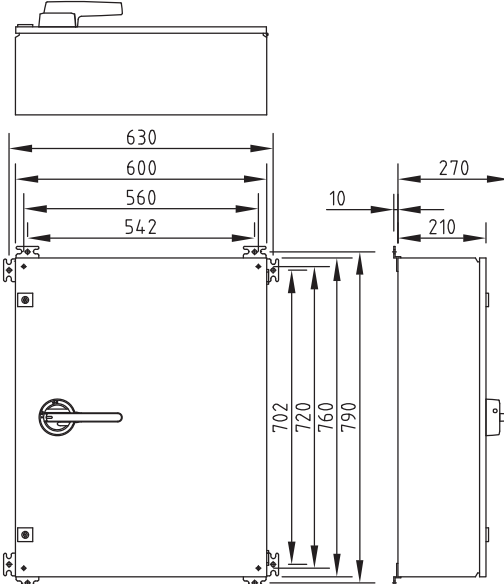
H02



H03



H04



H07

