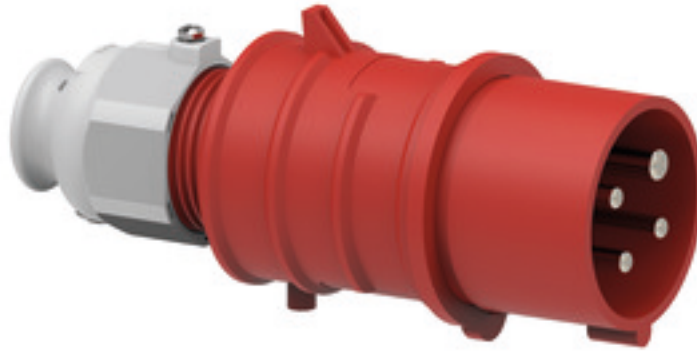


## Plug - with screwless terminals, for harsh applications

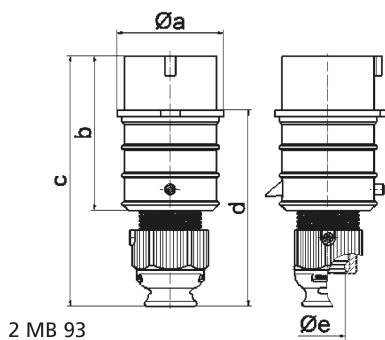


Product description	
BALS-Prd.-Nr	21845
EAN	4024941218450
Product category	QUICK-CONNECT TE plug
Current	16A
Number of poles	4p
Arrangement of phases	3P+PE
Position of earth contact	11 h
Voltage	440 - 460V~
Frequency	60Hz

Product description	
Protection degree	IP44
Colour code	red RAL 3000
Colour of appliance	Housing cover red RAL 3000, Collar red RAL 3000, Cable gland grey RAL 7035
Connection design	screwless spring-clamp technology
Maximum conductor size	2,5 qmm
Cable entry	Cable gland
Height	154mm
Width	58mm
Depth	66mm
Material of enclosure	Polyamide
Contacts	The contact carrier is made of high temperature resistant material, the contacts are brass nickel plated

Logistics data	
Weight/pcs	0.144 kg / Piece
Packaging	Bag
Content amount	1 ST
EAN	4024941218450
Length	66 mm
Width	58 mm
Height	154 mm

Logistics data	
Weight	0.145 kg
Volume	589.512 ccm
Packaging	Carton
Content amount	10 ST
EAN	4024941822626
Length	275 mm
Width	175 mm
Height	137 mm
Weight	1.565 kg
Volume	5,737.5 ccm



Ampere	16	16	16	32	32	32
Polzahl	3	4	5	3	4	5
a ø	51,0	57,5	65,0	66,0	66,0	72,0
b	95,0	95,0	97,0	118,0	118,0	117,0
c	145,0	145,0	152,0	178,0	178,0	181,0
d	109,0	109,0	116,0	133,0	133,0	135,5
e ø	18,0	18,0	21,0	23,0	23,0	27,0
Leiter mm² min	1	1	1	2,5	2,5	2,5
Leiter mm² max	2,5	2,5	2,5	6	6	6