

Wall mounting socket outlet, switched, interlocked - housing dimensions 460x180



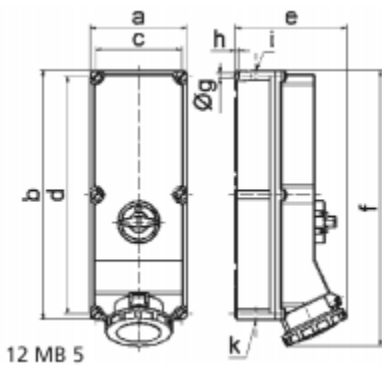
| Product description | |
|-------------------------------|-------------------------------------------------------|
| PH-Prd.-Nr | PH16622AL |
| EAN | 7024941166222 |
| product category (PG) | TE wall mounting socket outlet, switched, interlocked |
| current (A) | 125A |
| number of poles (P99) | 5p |
| number of poles (P) | 3p+N+PE |
| position of earth contact (H) | 6 h |
| voltage (V) | 200/346 up to 240/415V |

| Product description | |
|-----------------------------|------------------------------------------------------------------------------------------------------------------------------------------------------------------------|
| frequency (HZ) | 50 and 60Hz |
| protection degree (SA) | IP67 |
| colour code 1 (KF1) | red RAL 3000 |
| Colour of appliance | Hinged lid red RAL 3000, Bayonet ring grey RAL 7035, Housing screws grey RAL 7035, Housing bottom grey RAL 7035, Housing top grey RAL 7035, Control knob grey RAL 7035 |
| connection design (AT) | screw terminal for Al/Cu |
| maximum conductor size (LQ) | 95.0 qmm |
| cable entry (KE) | top entry M50 bottom entry M50/M40 |
| Height | 512mm |
| Width | 180mm |
| Depth | 210mm |
| dimension of enclosure (GG) | 460x180 mm (HxW) |
| material of enclosure (GM) | Polycarbonate |
| contact | The contact carrier is made of high temperature resistant material, the contacts are brass nickel plated |

| Additional technical information | |
|----------------------------------|--------------------------------------------------------------------|
| | The cable entry is one at top and two at bottom open |
| | In 0-position lockable for 4 padlocks with bow diameter up to 7 mm |

| Logistics data | |
|----------------|-----------------|
| Weight/pcs | 3.89 kg / Piece |

| Logistics data | |
|----------------|---------------|
| Packaging | Carton |
| Content amount | 1 ST |
| EAN | 7024941166222 |
| Length | 560 mm |
| Width | 215 mm |
| Height | 260 mm |
| Weight | 4.352 kg |
| Volume | 26,400 ccm |



| Ampere | 125 | 125 | 125 |
|---------|--------|--------|--------|
| Polzahl | 3 | 4 | 5 |
| a | 180,0 | 180,0 | 180,0 |
| b | 460,0 | 460,0 | 460,0 |
| c | 160,0 | 160,0 | 160,0 |
| d | 440,0 | 440,0 | 440,0 |
| e | 208,0 | 208,0 | 208,0 |
| f | 510,0 | 510,0 | 510,0 |
| g ø | 8,3 | 8,3 | 8,3 |
| h | 6,5 | 6,5 | 6,5 |
| i | M 50 | M 50 | M 50 |
| k | M40/50 | M40/50 | M40/50 |
| | | | |
| | | | |