

Features & Benefits

- Intelligent & self-adjusting humidity control
- Only 21 dB and increased pressure performance
- Easy to clean by removing the impeller



Intellivent® 2.0

Bathroom fan intended for shower room or toilet installation, or laundry room and other spaces that are in need of air expellation. Can be installed in both 100 & 125 diameter channels, a connection adapter for both dimensions is included.

Intellivent features an advanced control system with several functions. Fully automatic humidity control that adjusts itself to the right level according to the season. It has a timer with a selectable start delay function and three extended end-of-run times in addition to an automatic airing function and the option for constant operation at an adjustable speed.

Intellivent has a built-in multi-pole breaker and is cleanable in order to to facilitate maintenance. The motor is a low-energy unit fitted with double ball bearings for a long service life. Intellivent is available in white and black as standard, several other front cover colours are available as extras.

Technical data

Maximum capacity	134 m ³ /h
Sound pressure level 3m (85 m ³ /h)	21 dB(A)
Power consumption	2,1 - 5,5 W
Wall mounting dimensions	0-30 mm
Holes	105-130 mm
100-240 V, 50-60 Hz IP44	

Specification

Models	Description	Art.no.
Intellivent® 2.0 White	Bathroom fan in white	197276
Intellivent® 2.0 Black	Bathroom fan in black	197278

Accessories

Models	Description	Art.no.
Intellivent® Front cover Silver	Front cover for the Intellivent	197222
Intellivent® Front cover Titanium	Front cover for the Intellivent	197224
Intellivent® Front cover Red	Front cover for the Intellivent	197226
Intellivent® Front cover Champagne	Front cover for the Intellivent	197228
Intellivent® Front cover White	Front cover for the Intellivent	197218
Intellivent® Front cover Black	Front cover for the Intellivent	197220
Fresh cover plate White	Cover plate 242 x 190 for the Intellivent	197236
Fresh cover plate Black	Cover plate 242 x 190 for the Intellivent	197238
Fresh Cold surge protection 100	External diameter Ø98 mm, length 74 mm	197241
Fresh Cold surge protection 125	External diameter Ø118 mm, length 80 mm	197243
YVG 100	Mounting kit (cold surge protection, pipe, grille L:310mm)	197244
YVG 125	Mounting kit (cold surge protection, pipe, grille L:310mm)	197245

INTELLIVENT® 2.0

Bathroomfan

Description

Intellivent® 2.0 can be installed in both 100 & 125 mm channels, with adapters for both dimensions being included. The fan can also be installed over a narrower channel, without an adapter.

The fan is fitted with a built-in multi-pole breaker. This gives a much simpler and cost-efficient installation as an external breaker is no longer required.

Intellivent® 2.0 has a motor that uses only 2,1 - 5,5 W which makes it a particularly energy-efficient product.

For simplicity of maintenance the motor is hinge-mounted and can be opened outwards to provide access to the channel and the rear of the impeller. The impeller can easily be removed for cleaning.

Functions

Intellivent® 2.0 has a number of functions and can be connected in several ways depending on which functions are required. Miscellaneous settings are easy to make via the control panel too. The fan also features LED lamps indicating functions which are currently in operation.

Humidity control

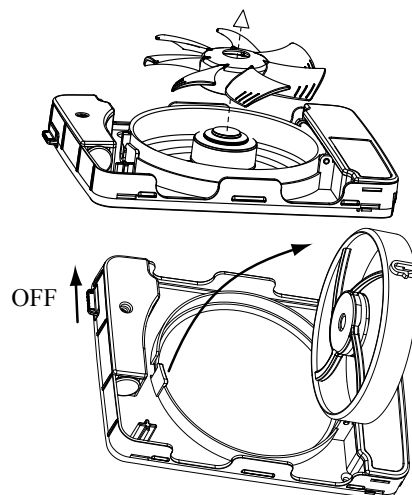
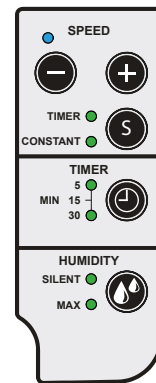
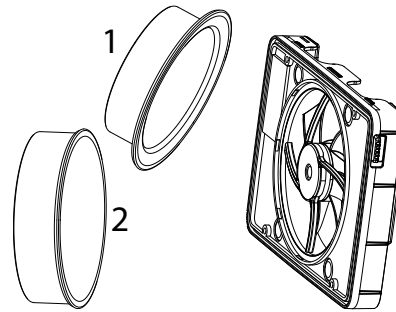
The fan is fitted with advanced automatic humidity control that does not require adjustment; the fan always runs at its optimum setting regardless of season. You can choose between two speeds for extraction; max or silent. Silent is the same as a regular Ø100 sized bathroom fan and max settings 30% more.

Timer

The timer has an optional 5 minute start delay and an adjustable post-running time of 5, 15 or 30 minutes. The timer can be activated manually by fitting a pull cord and pulling on it, or through an external control signal from a lamp or spring-loaded breaker. If the spring-loaded breaker is used, the fan starts immediately.

Other functions

The constant low speed is activated by pressing the S button. Live (L) is linked to switched live (SL) for constant low speed. When humid air is present the humidity programme starts with the fan running up to the selected level; silent or maximum. Once the humid air has been expelled, the fan returns to running at low speed.



The desired RPM at low speed is set using the buttons for Speed, and the Plus or Minus buttons on the control panel. The fan also has a pause function. A pull on the cord will pause the fan for an hour regardless of whether it is running in humidity mode or on the timer.

Intellivent® 2.0 also has an automatic circulation function that means that if the fan has been inactive for 26 hours it runs a circulation programme that lasts for an hour.

Maintenance

The fan is easy to clean when it is provided with a "swing out" - function that provides free access to the channel. Although the fan is removable. Turn off the fan using the earth leakage circuit breaker, press the engine ring snap fastener and fold engine / propeller. Clean the duct / pipe if there is a dirty coating.

Connection

Intellivent® 2.0 can be installed in three ways depending on the function as detailed below:

Humidity control only, diagram 1

The fan is connected using constant phase (L) and neutral (N), for automatic humidity control. The timer can be activated manually by fitting a pull cord and pulling on this.

Humidity control + timer with light switch, diagram 2

The fan is connected using constant phase (L) and neutral (N), The ignition wire from the lighting is connected to the plinth marked SL.

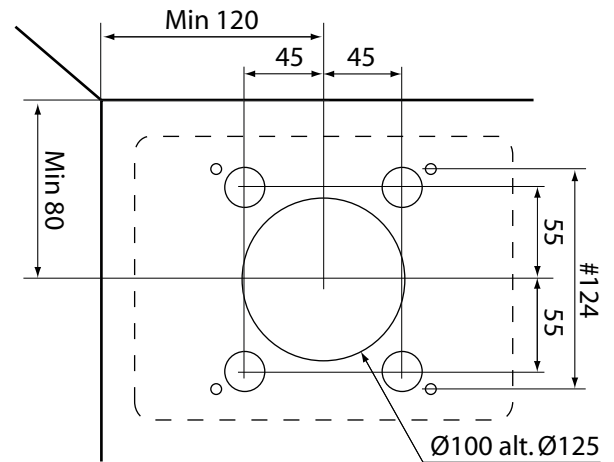
When the lighting is switched on and SL is energised it takes 1.5 minutes before the fan starts. In the meantime the yellow LED blinks faster and faster until the fan starts.

When the lamp is switched off the fan will continue to run for 5, 15 or 30 minutes depending on the selected run-on time on the control panel.

Humidity control & time control with a spring-return switch, diagram 3

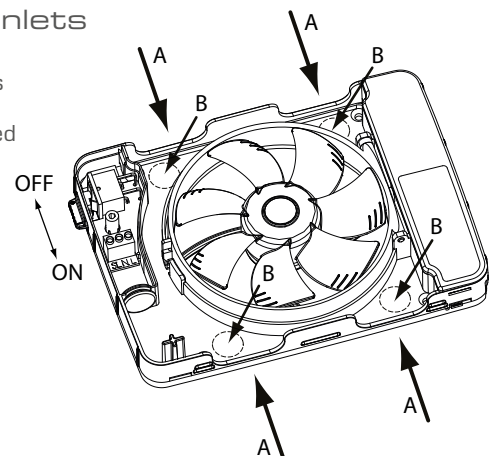
The fan is connected using constant phase (L) and neutral (N), The plinth marked SL is connected to the spring-return switch. When the switch is activated SL receives an electrical pulse. In this configuration the fan starts immediately. The delay before the fan stops is 5, 15 or 30 minutes (post-running time), depending on your preferred control panel setting.

Mounting dimensions

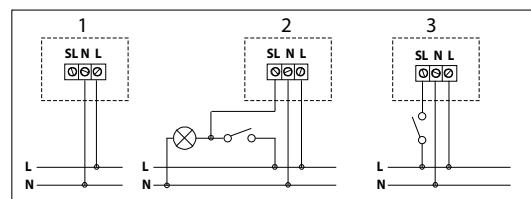
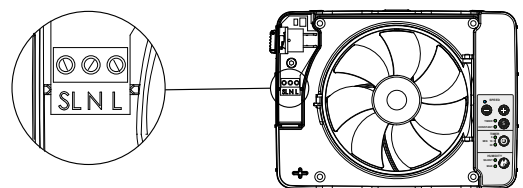


Cable inlets

Cable inlets
A=exterior
B=concealed



Wiring diagram

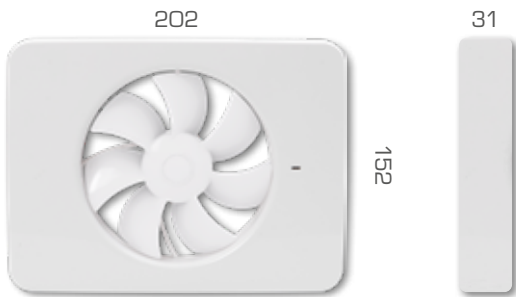


- 1 Humidity control and timer with cord.
- 2 Lamp that activates the timer function
- 3 Return-sprung switch which directly activates the timer function

INTELLIVENT® 2.0

Bathroomfan

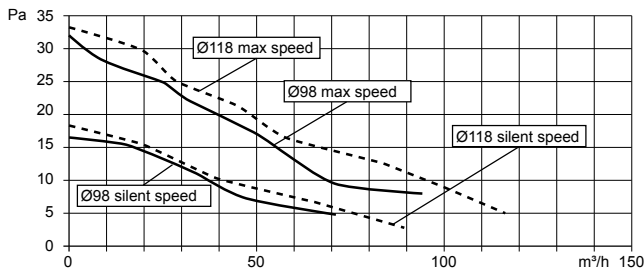
Measurement (mm)



Technical facts

Maximum capacity	134 m ³ /h
Sound pressure level 3 m (Silent mode)	21 dB(A)
Power consumption	2,1 - 5,5 W
Mounting dimensions in wall	0 - 30 mm
Holes	105 - 130 mm
Material	ABS plast
Protection rating	IP44
Insulation class	□
Voltage	100-240 V
Frequency	50-60 Hz
Certificates	Ⓢ Ⓜ Ⓜ

Capacity



Sound data

Adapter diameter	Max/ Silent mode	Capacity (free blowing)	Sound pressure level 3m
Ø 98	Max	107 m ³ /h	28 dB(A)
Ø 98	Silent	74 m ³ /h	21 dB(A)
Ø 98	Constant	42 m ³ /h	12 dB(A)
Ø 118	Max	134 m ³ /h	29 dB(A)
Ø 118	Silent	86 m ³ /h	21 dB(A)
Ø 118	Constant	55 m ³ /h	13 dB(A)

Accessories

There are a number of accessories available for Fresh Intellivent to help you as user install the product as smoothly as possible.

Warranty

We provide a 5 year warranty against manufacturing defects.

Recycling

The product is marked with the WEEE symbol, which indicates that it must not be disposed of with household waste, but must be recycled at a suitable recycling location in the local municipality.

Fresh AB is a member of Sweden's national recycling system, in accordance with the European WEEE directive.

For more information, see www.fresh.eu