

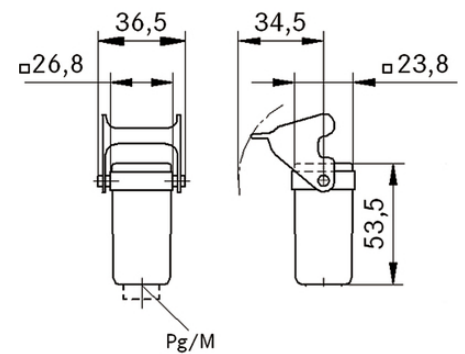
EPIC® H-A 3 MTGVB

Innovative metal and plastic housing design

The metal housing for placement in rectangular connectors can be selected with or without a cable outlet.

Info

Small, rugged metal housing
Protection rating UL50E tested



Waterproof



Robust



Mechanical resistance



Mechanical and plant engineering

Benefits

Housing in plastic or metal version. For power supply in the smallest possible space

Application range

Machine and equipment manufacturing
Control engineering
Electronic laboratory

Product features

Cable coupler hood
1 lever
Straight cable entry
Versions with / without cable gland

Last Update (05.10.2021)

©2021 Lapp Group - Technical changes reserved

Product Management www.lappkabel.de

You can find the current technical data in the corresponding data sheet.

PN 0456 / 02_03.16

EPIC® H-A 3 MTGVB

Technical Data

Classification ETIM 5:	ETIM 5.0 Class-ID: EC000437 ETIM 5.0 Class-Description: Housing for industrial connectors
Classification ETIM 6:	ETIM 6.0 Class-ID: EC000437 ETIM 6.0 Class-Description: Housing for industrial connectors
Material:	Housing: powder-coated zinc die-casting, grey Lever: zinc-plated steel
Protection rating:	IP 65 (latched) NEMA 250, UL50E: 12, 4 (latched)
VDE-tested:	Certified production control: VDE-REG. no.: B437 UL-tested: UL File Number: E75770
Temperature range:	-40°C to +100°C, short-term up to +125°C

Note

Photographs and graphics are not to scale and do not represent detailed images of the respective products.
Prices are net prices without VAT and surcharges. Sale to business customers only.

EPIC® H-A 3 MTGVB

Article number	Article description	M	PG	Material	Colour	Cable gland	Cable clamping range
H-A housing: cable coupler hood (straight cable entry)							
10512900	H-A 3 MTgvb	-	11	Zinc die-casting	grey	-	-
10429500	H-A 3 MTgvb	-	11	Zinc die-casting	grey	yes	6.5 - 12
19512900	H-A 3 MTgvb M20	20	-	Zinc die-casting	grey	-	-

Last Update (05.10.2021)

©2021 Lapp Group - Technical changes reserved

Product Management www.lappkabel.deYou can find the current technical data in the corresponding data sheet.
PN 0456 / 02_03.16