

EPIC® H-B 16 SGR

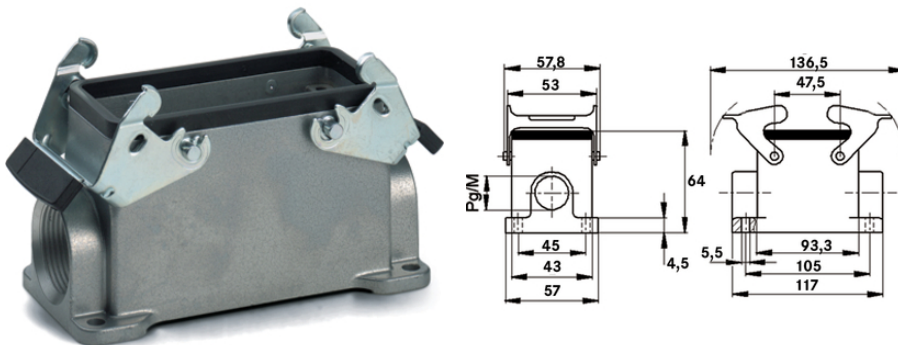
Housing design H-B. The industry standard.

The universal metal housing consists of 2 double levers and a cable entry and it is suitable for use in the plastics industry.

Info

Double lever version with 2 levers for increased safety

Protection rating UL50E tested



Waterproof



Robust



Mechanical resistance



Industrial machinery and plant engineering



Automation & fältinstallation

Benefits

The housing standard. Wide choice for all applications

Application range

Plant engineering

Light & sound technology

Plastics industry

EPIC® H-B 16 SGR

Product features

Surface-mount base, low version
Dual levers
1 cable entry

Technical Data

Classification:	ETIM 5.0 Class-ID: EC000437 ETIM 5.0 Class-Description: Housing for industrial connectors
Material:	Housing: powder-coated aluminium alloy, grey Lever: zinc-plated steel Sealing: NBR
Protection rating:	IP 65 (latched) NEMA 250, UL50E: 12, 4 (latched)
VDE-tested:	Certified production control: VDE-REG. no.: B437 UL-tested: UL File Number: E75770
Temperature range:	-40°C to +100°C, short-term up to +125°C

Note

Photographs are not to scale and do not represent detailed images of the respective products.
Prices are net prices without VAT and surcharges. Sale to business customers only.



EPIC® H-B 16 SGR

Article number	Article description	M	PG
H-B housing: surface-mount base (1 cable entry, double lever)			
10074000	H-B 16 SGR 21	-	21
19074000	H-B 16 SGR M25	25	-

Last Update (05.07.2017)

©2017 Lapp Group - Technical changes reserved

Product Management www.lappkabel.de

You can find the current technical data in the corresponding data sheet.

PN 0456 / 02_03.16