



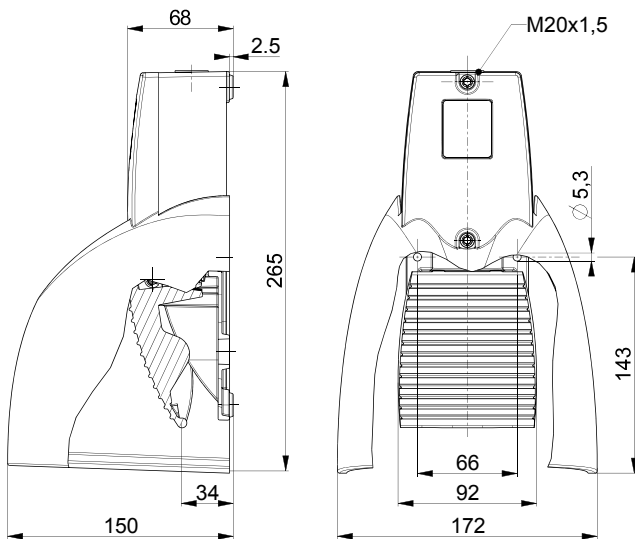
## Foot switch Extreme GFSI 1Ö/1S -40°C ... +90°C Extreme Material number: 1318331

### Features/Options:

- Corrosion-resistant aluminium enclosure
- Salt-mist spray test to DIN EN ISO 9227
- High degree of protection IP 66, IP 67, IP 69, IP 69K depending on selected cable gland
- Temperature resistant from -40 °C up to +90 °C
- Screws and metal parts made of stainless steel

- With protective guard
- Ergonomic pedal design and wide opening in protective shield
- Wiring compartment
- Attention: Please state required international approvals with your order!

### Dimensions



### Technical data

Applied standards	EN 60947-5-1
Enclosure	aluminium, corrosion-resistant, powder-coated, anthracite grey, similar to RAL 7016
Pedal	aluminium, corrosion-resistant, hard-coated, powder-coated, anthracite grey, similar to RAL 7016
Protective shield	aluminium, corrosion-resistant, powder-coated, signal yellow, similar to RAL 1003
Degree of protection	IP 66, IP 67, IP 69 (IEC/EN 60529) / IP 69K (ISO 20653) depending on selected cable gland
B <sub>10d</sub> (10 % load)	2 million
T <sub>M</sub>	max. 20 years
Connection	screw connection terminals
Cable cross-section	max. 2.5 mm <sup>2</sup> (incl. conductor ferrules)
Cable entry	1 x M20 x 1.5
Contact material	silver
Switching system	slow action, positive break NC contacts ⊖
Switching elements	1 NC/1 NO contact, type Zb
Switch insert	1 x ES 60 GF
Conventional thermal current I <sub>the</sub>	16 A
Rated operating current/voltage I <sub>e</sub> /U <sub>e</sub>	16 A/400 VAC
Utilisation category	AC-15
Short-circuit protection	16 A gG/gN fuse

Errors and omissions excepted.



Foot switch Extreme  
GFSI 1Ö/1S -40°C ... +90°C Extreme  
Material number: 1318331

## Technical data

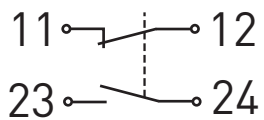
Ambient temperature -40 °C ... +90 °C

Mechanical life > 1 million operations

Approvals



## Contact diagram



## Switching diagram

