



## Foot switch Extreme

GFS 1Ö/1S -40°C IP67 Extreme

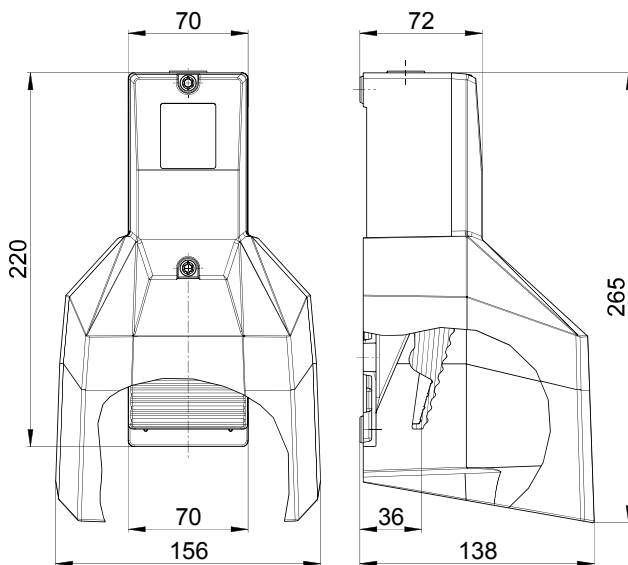
Material number: 1186963 (Material number old: 812019119)

### Features/Options:

- Cold-resistant down to -40 °C
- High degree of protection IP 67
- With protective guard
- High level of stability

- Low pedal height
- Wiring compartment
- Attention: Please state required international approvals with your order!

### Dimensions



### Technical data

Applied standards	EN 60947-5-1
Enclosure	aluminium die-cast, powder-coated, RAL 5011
Pedal	thermoplastic, glass-fibre reinforced, impact resistant, self-extinguishing UL 94 V-0
Protective shield	aluminium die-cast, powder-coated, RAL 5011
Degree of protection	IP 67 to IEC/EN 60529
B <sub>10d</sub> (10 % load)	2 million
T <sub>M</sub>	max. 20 years
Connection	screw connection terminals
Cable cross-section	max. 2.5 mm <sup>2</sup> (incl. conductor ferrules)
Cable entry	1 x M20 x 1.5
Contact material	silver
Switching system	slow action, positive break NC contacts ⊖
Switch insert	1 x ES 60 GF
Utilisation category	AC-15
Rated operating current/voltage I <sub>e</sub> /U <sub>e</sub>	16 A/400 VAC
Short-circuit protection	16 A gG/gN fuse
Ambient temperature	-40 °C ... +80 °C
Mechanical life	> 1 million operations
Approvals	

Errors and omissions excepted.

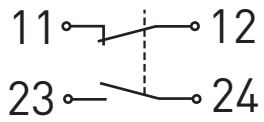


## Foot switch Extreme

GFS 1Ö/1S -40°C IP67 Extreme

Material number: 1186963 (Material number old: 812019119)

Contact diagram



Switching diagram

