

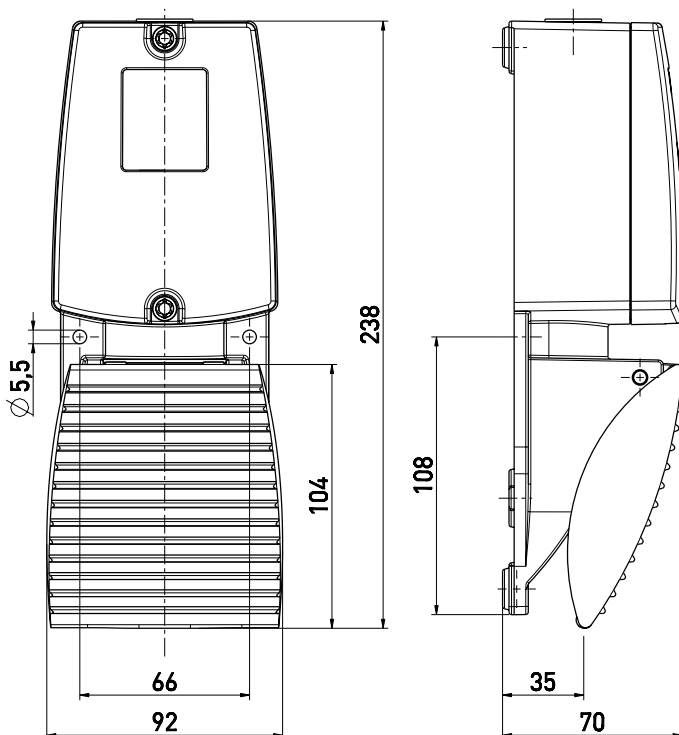


Foot switch Extreme GFI 2Ö/2S -40°C ... +90°C Extreme Material number: 1488065

Features/Options:

- Corrosion-resistant aluminium enclosure
- Salt-mist spray test to DIN EN ISO 9227
- High degree of protection IP 69, IP 69K
- Temperature resistant from -40 °C up to +90 °C
- Screws and metal parts made of stainless steel
- Without protective shield
- Ergonomic pedal design and wide opening in protective shield
- Wiring compartment
- Attention: Please state required international approvals with your order!

Dimensions



Technical data

| | |
|--|--|
| Applied standards | EN 60947-5-1 |
| Enclosure | aluminium, corrosion-resistant, powder-coated, anthracite grey, similar to RAL 7016 |
| Cover | aluminium, corrosion-resistant, powder-coated, signal yellow, similar to RAL 1003 |
| Pedal | aluminium, corrosion-resistant, hard-coated, powder-coated, anthracite grey, similar to RAL 7016 |
| Degree of protection | IP 66, IP 67, IP 69 (IEC/EN 60529) / IP 69K (ISO 20653) |
| B _{10d} (10 % load) | 2 million |
| T _M | max. 20 years |
| Connection | screw connection terminals |
| Cable cross-section | max. 2.5 mm ² (incl. conductor ferrules) |
| Cable entry | 1 x M20 x 1.5 |
| Contact material | silver |
| Switching system | slow action, positive break NC contacts ⊖ |
| Switching elements | 2 NC/2 NO contacts, type Zb |
| Switch insert | 2 x ES 40 GF |
| Conventional thermal current I _{the} | 6 A |
| Rated operating current/voltage I _e /U _e | 6 A/400 VAC |
| Utilisation category | AC-15 |
| Short-circuit protection | 6 A gG/gN fuse |
| Ambient temperature | -40 °C ... +90 °C |
| Mechanical life | > 1 million operations |

Errors and omissions excepted.



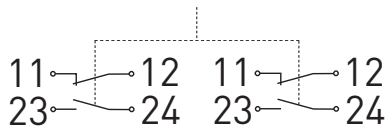
Foot switch Extreme
GFI 2Ö/2S -40°C ... +90°C Extreme
Material number: 1488065

Technical data

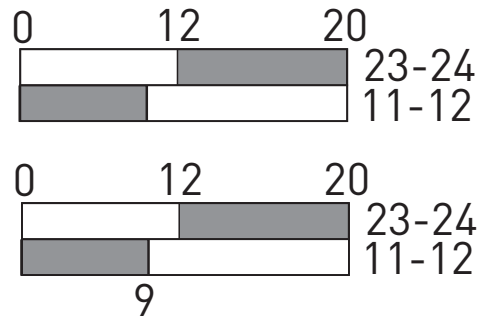
Approvals



Contact diagram



Switching diagram



Errors and omissions excepted.