
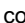




Position switch ES 95 DS 1Ö/1S

Material number: 1050035 (Material number old: 95029001)

Features/Options:

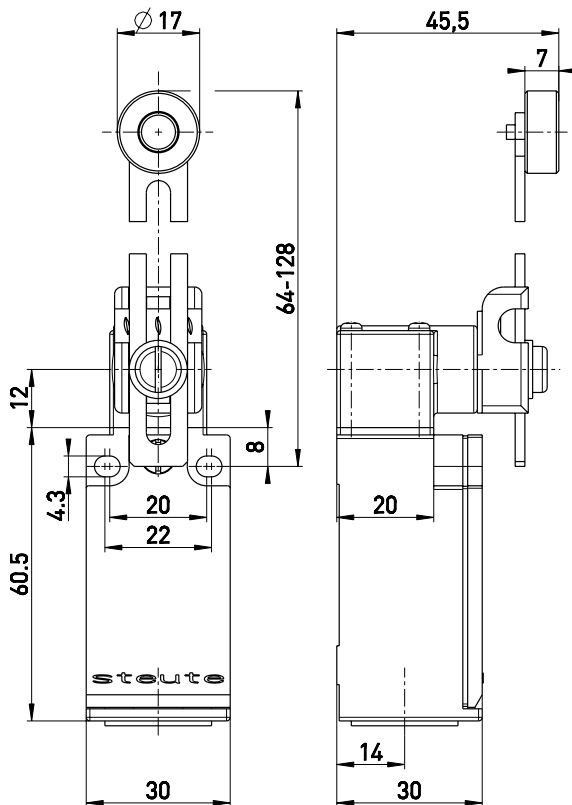
- Thermoplastic enclosure
- Design to EN 50047
- Horizontally slotted mounting holes
- Double insulated 
- Slow action , change-over contact with double break
- Good resistance to oil and petroleum spirit

- Lever angle adjustable in 10° steps
- Actuator: Adjustable rocking lever DS
- Position of roller can be adjusted
- Wear-resistant plastic roller
- Actuator can be repositioned by 4 x 90°

Notes

- With metal roller available on request

Dimensions



Technical data

Applied standards	EN ISO 13849-1, EN 60947-5-1
Enclosure	thermoplastic, glass-fibre reinforced, impact resistant, self-extinguishing UL 94 V-0
Tightening torque	enclosure mounting screws: 1 ... 1.3 Nm cover screws: max. 0.7 Nm
Degree of protection	IP 67 to IEC/EN 60529
Contact material	silver
Switching system	slow action
Switching elements	1 NC/1 NO contact, type Zb
Connection	screw connection terminals
Cable cross-section	max. 2.5 mm ² (incl. conductor ferrules)
Cable entry	1 x M20 x 1.5
Rated impulse withstand voltage U_{imp}	4 kV
Rated operating isolation voltage U_i	400 V
Conventional thermal current I_{the}	6 A
Utilisation category	AC-15; DC-13
Rated operating current/voltage I_e/U_e	6 A/400 VAC; 0.25 A/230 VDC; 4 A/24 VDC
Short-circuit protection	6 A gG/gN fuse
Mechanical life	> 1 million operations
Operation cycles	max. 1800/h
Ambient temperature	-20 °C ... +80 °C

Errors and omissions excepted.



Position switch ES 95 DS 1Ö/1S

Material number: 1050035 (Material number old: 95029001)

Technical data

Contact opening max. 2 x 3.5 mm

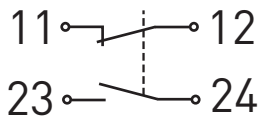
Approvals



Weight

90 g

Contact diagram



Switching diagram

