

**POLYLUX,S.L.**

Avenida de Roma, 18-26  
08290 Cerdanyola del Vallès  
Barcelona (Spain)



[www.polylux.com/en](http://www.polylux.com/en)  
Tel : +34 93 594 65 41  
[export@polylux.com](mailto:export@polylux.com)

**Kontakt oss:**

[www.elteco.no](http://www.elteco.no)  
Tlf : 35 56 20 70  
[firmapost@elteco.no](mailto:firmapost@elteco.no)

**ELTECO**

**DATABLAD**

**TTW31.5\_DYdy12In**



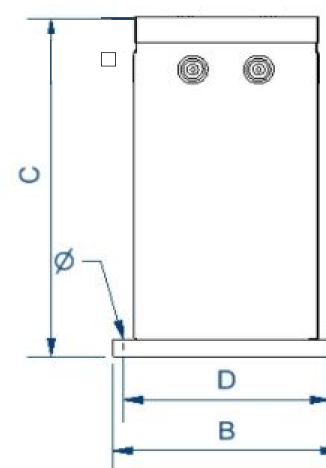
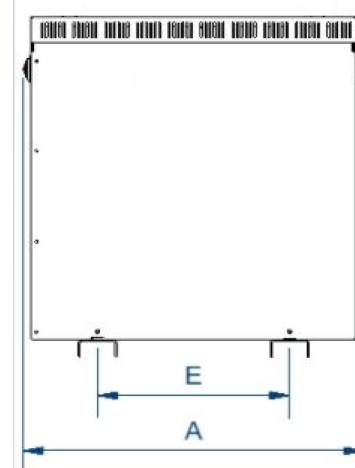
Type : TTW\_DYdy - Three phase isolation transformer IP23

**Technical Characteristics**

Rating (kVA)	31,5 kVA	Effekt
Input Voltage	230V (D) - 400V (YN)	Inngangsspenning
Output Voltage	230V (d) - 400V (yn)	Utgangsspenning
Frequency	50/60Hz	Frekvens
Connection group	Yyn0 – Dyn11 – YNd5 – Dd0 (selectable)	Tilkoblingsgruppe
No load current	< 5% x In	Tomgangsstrøm
No load losses (W)	350 W	Tomgangstap
Load losses (W)	650 W	Last tap
Efficiency ≥	≥ 96,9 %	Effektivitet
Ambient temperature	40°C	Omgivelsestemperatur
Protection degree	IP23/IK08	Beskyttelsesgrad
Cover	Metal enclosure (epoxy polyester painted, RAL 7035) cat. C3 - ISO12994-2	Kapsling
Cooling	ANAN	Kjøling
Noise level (dB)	< 45 dB	Støynivå
Temperature rise	Class F	Tempearturklasse
Insulation	Class F	Isolasjon
Windings	Class HC – 200°C	Viklinger
Protection	Safety class I	Beskyttelse
Test voltage	3kV (1min, 50Hz)	Testspenning
Standards	IEC-EN 61558, CE	Standarder
Other information:		Annen informasjon:
Inrush <	12 x In	Inrush <
Ek =	2,8 %	Ek
Ex =	2 %	Ex
Er =	2 %	Er
Width A (mm)	595	Bredde A (mm)
Deep B (mm)	415	Dyp B (mm)
Height C (mm)	708	Høyde C (mm)
Installation : fixing		Installasjon
D (mm)	375	D (mm)
E (mm)	350	E (mm)
∅ (mm)	12	∅ (mm)
Weight (kg)	174	Vekt (kg)

More info & check availability : <https://www.elteco.no/3-fase-spenningstrafoer> Mer info og sjekk tilgjengelighet:

Picture



Remark: The dimensions stated at this quotation are approximated and can be modified without previous notification.  
Polylux does not accept returns of custom-made products once delivered or cancellation once manufactured  
Do not hesitate to contact us for any additional information required

Transformers – Reactors – Harmonic Filters – Stabilisers – Power Supplies

Visit our website [www.polylux.com/en](http://www.polylux.com/en)