



Safety foot switch

GFS 2 1SD1ÖVD / 1SD1ÖVD

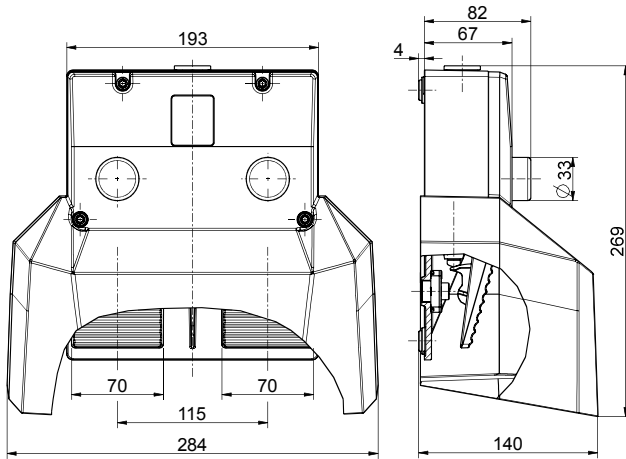
Material number: 1048899 (Material number old: 82227001)

Features/Options:

- 2-pedal type

- Wiring compartment

Dimensions



Technical data

Applied standards	EN ISO 13849-1, EN 60947-5-1, GS-ET-15
Enclosure	aluminium die-cast, powder-coated
Pedal	thermoplastic, glass-fibre reinforced, impact resistant, self-extinguishing UL 94 V-0
Protective shield	aluminium die-cast, powder-coated
Degree of protection	IP 65 to IEC/EN 60529
B_{10d} (10 % load)	200 000
T_M	max. 20 years
Connection	screw connection terminals
Cable cross-section	max. 2.5 mm ² (incl. conductor ferrules)
Cable entry	1 x M25 x 1.5
Contact material	silver
Switching system	slow action, positive break NC contacts ⊖
Switch insert	1 x ES 60 1S/1Ö UE per pedal
Switching elements	1 NO/1 NC contact, type Zb, per pedal
Actuating force	pressure point approx. 245 N
Utilisation category	AC-15
Rated impulse withstand voltage U_{imp}	6 kV
Rated operating isolation voltage U_i	500 V
Conditional short-circuit current	1100 A
Conventional thermal current I_{the}	16 A
Rated operating current/voltage I_e/U_e	16 A/400 VAC
Contact load capacity	max. 400 VAC, max. 16 A (cos φ = 1)

Errors and omissions excepted.



Safety foot switch

GFS 2 1SD1ÖVD / 1SD1ÖVD

Material number: 1048899 (Material number old: 82227001)

Technical data

Short-circuit protection 16 A gG/gN fuse

Ambient temperature -25 °C ... +80 °C

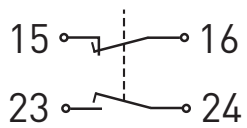
Mechanical life > 100 000 operations

Approvals

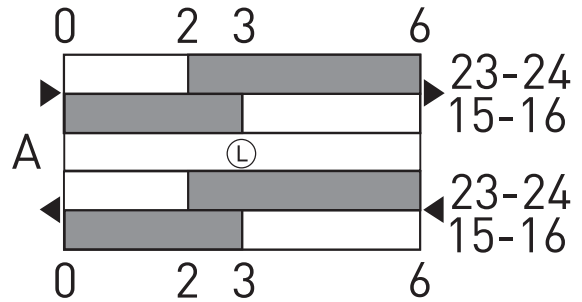


Weight 1000 g

Contact diagram



Switching diagram



Errors and omissions excepted.