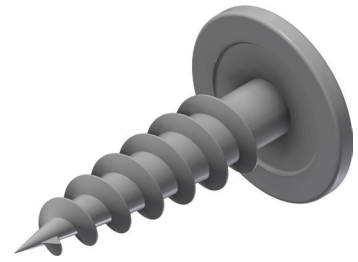


# Product Data sheet

Part no.	Name	Type
1372820	Self-Tapping Screws S-M SF-PH-M4,2x14 (34-PH) PG	S-M SF-PH-M4,2x14 (34-PH)

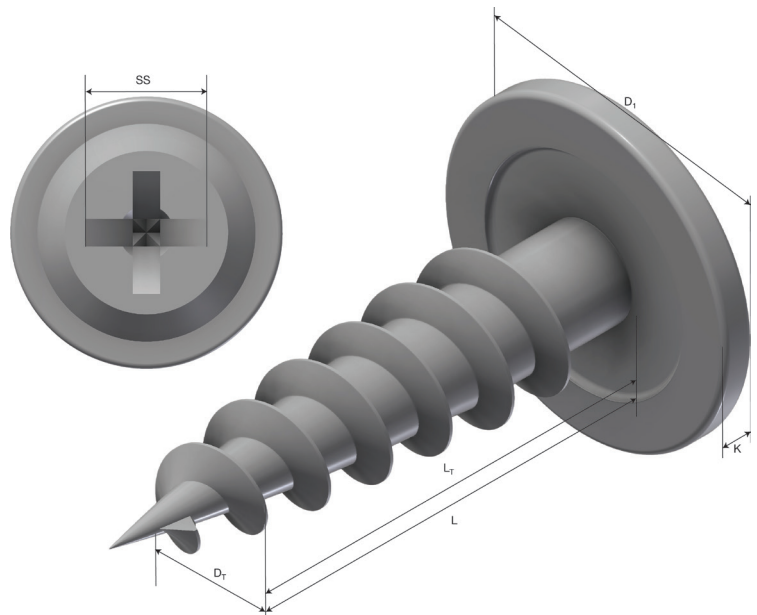
Description: Self-Tapping Screws. M4.2 size.



Additional information: Up to 3 mm steelplate. STD: 100

## Characteristics

Name	Value
Weight (kg)	0.0
Dt Diameter threads (mm)	M4,2
Lt Length Threads (mm)	14
Spanner Size SS (mm)	PZ2
K Bolt Head Height (mm)	1.9
L Length (mm)	14



## Product packaging information

F-PAK GTIN	Single piece	
------------	--------------	--