

Product Data sheet

Part no.	Name	Type
1372759	Angle Bracket S-M AB 65x80x40-10/12 HDG	S-M AB 65x80x40-10/12

Description: Angle Bracket for multiple applications.

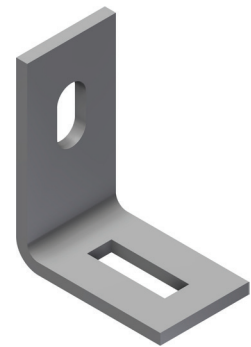
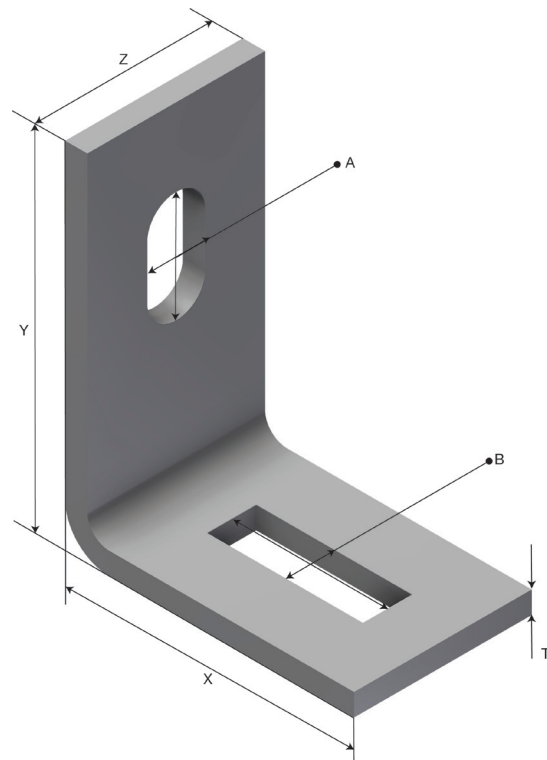
1372759 consists of

Part no.	Name
60911	ANGLE BR.S-M AB65x80-10/12 HDG
1371980	LOCKING BOLT SET S-M M10x25HDG

Additional information:

Characteristics

Name	Value
Weight (kg)	0.3
A Hole Size (mm)	13x25
B Hole Size (mm)	11x35
T Material Thickness (mm)	5
X (mm)	65
Y (mm)	80
Z (mm)	40



Product packaging information

F-PAK GTIN	Single piece	
------------	--------------	--