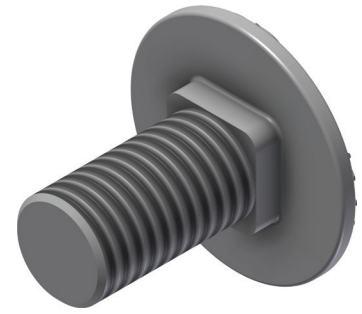


Product Data sheet

Part no.	Name	Type
1372163	Locking Bolts S-M LS-M10x20 A4	S-M LS-M10x20

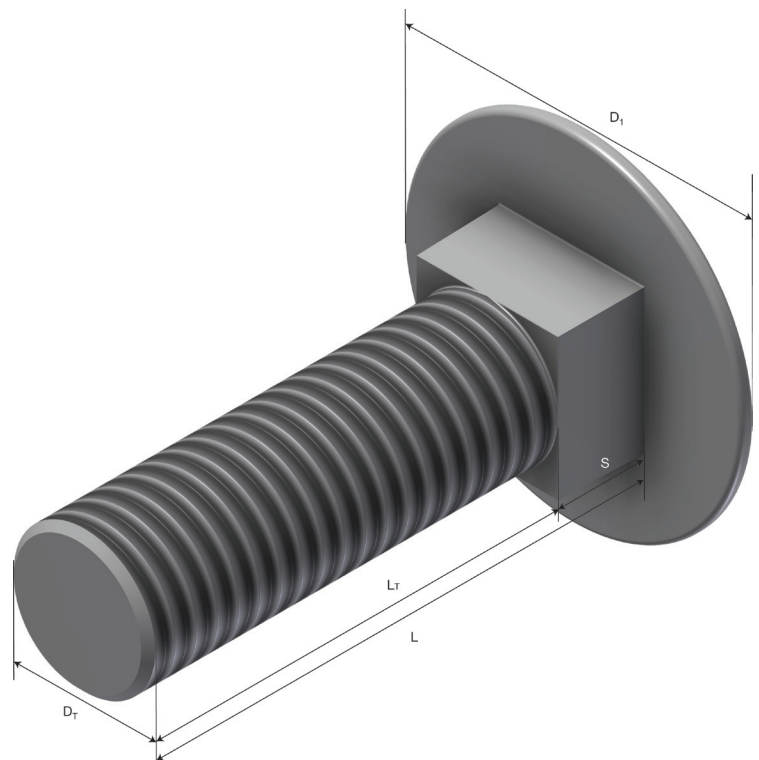
Description: Self-Lock Bolt with Low Neck. All metal design.



Additional information: STD: 100

Characteristics

Name	Value
Weight (kg)	0.02
S Spacing (mm)	2.8
D1 Diameter (mm)	24
Dt Diameter threads (mm)	10
Lt Length Threads (mm)	17.2
L Length (mm)	20



Product packaging information

F-PAK GTIN	Single piece	
------------	--------------	--