

# Product Data sheet

| Part no. | Name  | Type                 |
|----------|---|----------------------|
| 1371977  | Spring Lock Washers S-M WA-12.2x21.1x2.5 SS | S-M WA-12.2x21.1x2.5 |

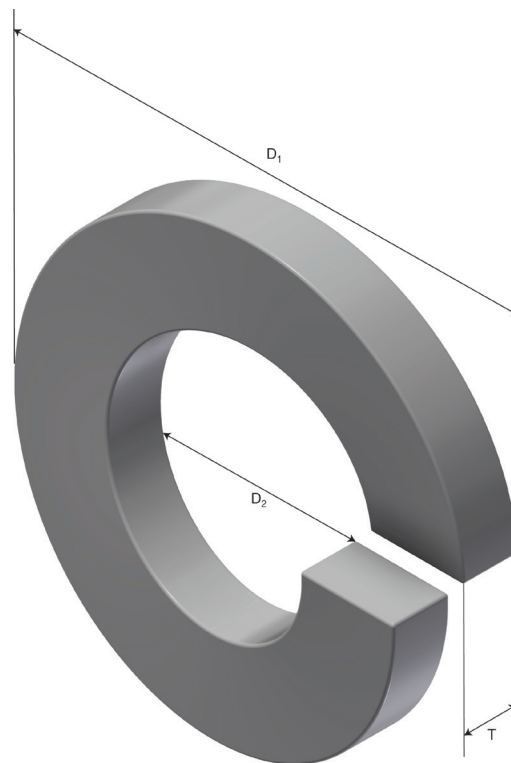
Description: Spring Lock Washers. 12.2 mm diameter.



Additional information: STD: 100

## Characteristics

| Name                      | Value |
|---------------------------|-------|
| Weight (kg)               | 0.004 |
| D1 Diameter (mm)          | 21.1  |
| D2 Diameter (mm)          | 12.2  |
| T Material Thickness (mm) | 2.5   |



## Product packaging information

|            |              |  |
|------------|--------------|--|
| F-PAK GTIN | Single piece |  |
|------------|--------------|--|