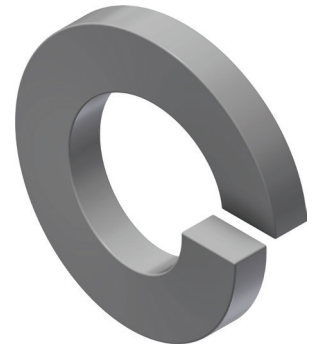


# Product Data sheet

Part no.	Name	Type
1371976	Spring Lock Washers S-M WA-10.2x18.1x2.2 SS	S-M WA-10.2x18.1x2.2

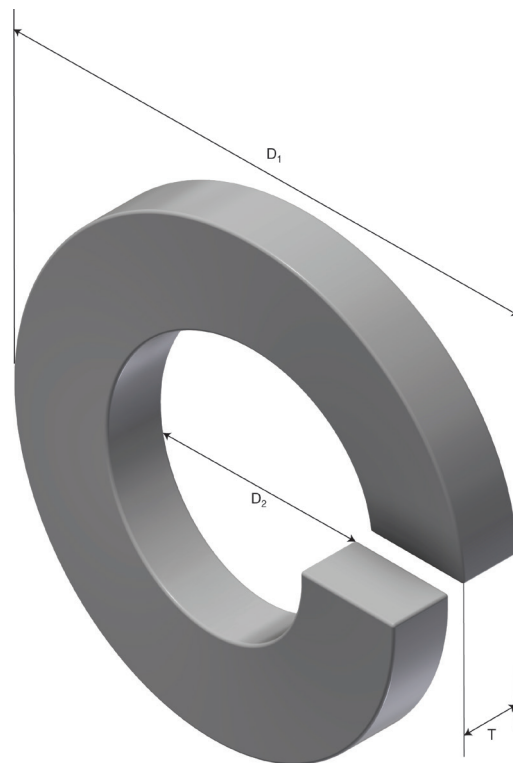
Description: Spring Lock Washers. 10.2 mm diameter.



Additional information: STD: 100

## Characteristics

Name	Value
Weight (kg)	0.002
D1 Diameter (mm)	18.1
D2 Diameter (mm)	10.2
T Material Thickness (mm)	2.2



## Product packaging information

F-PAK GTIN	Single piece	
------------	--------------	--