

Product Data sheet

Part no.	Name	Type
1371867	UNO Channel U-41 S-UNO-41-2 (6 m) Type Double SS	S-UNO-41-2 (6 m)

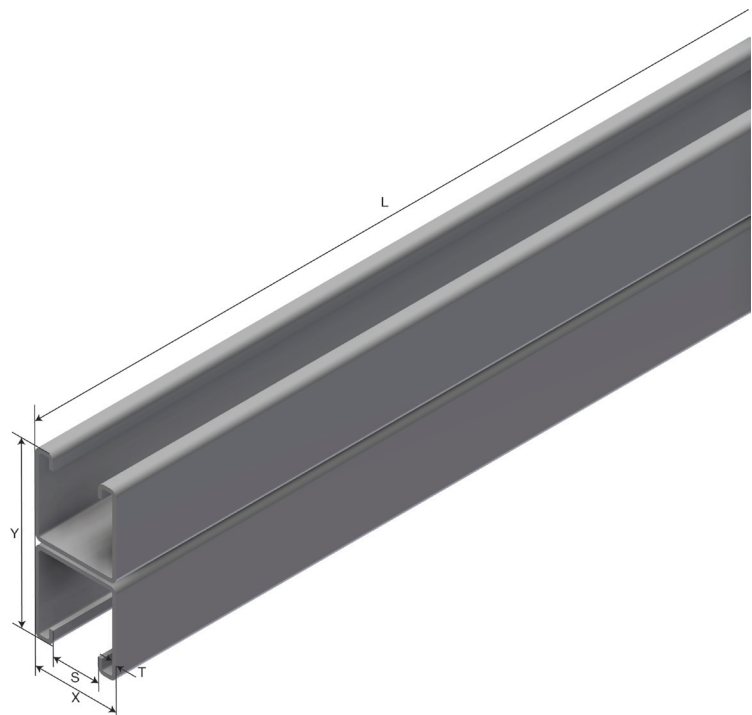
Description: Double U-shaped UNO Channel. Channels are spot welded each 200 mm each side, with a 100 mm stagger between sides.



Additional information: The channels are welded together with a 3 mm gap in order to allow zink to penetrate.

Characteristics

Name	Value
Weight (kg)	26.8
S Spacing (mm)	22.5
T Material Thickness (mm)	2
L Length (mm)	6000
X (mm)	41
Y (mm)	82



Product packaging information

F-PAK GTIN	Single piece	
------------	--------------	--