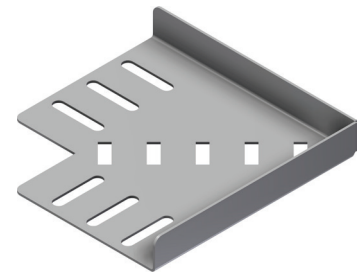


Product Data sheet

Part no.	Name	Type
1371836	Flat Elbow 90° for Tubing Installations SPBE20 BE-TI-100 SS	SPBE20 BE-TI-100



Description: 90° Flat Elbow with integrated splice connectors for tubing installations.

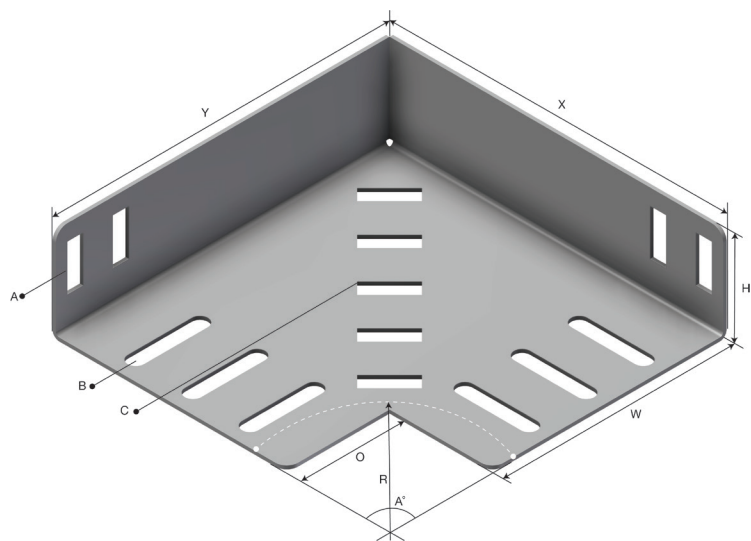
1371836 consists of

Part no.	Name
81181	ELBOW 90DEG SPBE 20-100 SS
1371981	LOCKING BOLT SET S-M M6x12 A4

Additional information:

Characteristics

Name	Value
Weight (kg)	0.3
W Width (mm)	102
T Material Thickness (mm)	1.5
H Height (mm)	21
A Angle (deg)	90
R Radius (mm)	65
X (mm)	147
Y (mm)	147



Product packaging information

F-PAK GTIN	Single piece	
------------	--------------	--