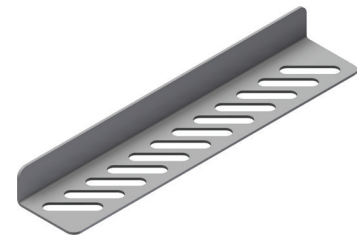


Product Data sheet

Part no.	Name	Type
1371805	Splice Connector SPBE-20 SC HDG	SPBE-20 SC



Description: Splice connector for fitting from outside the Cable Tray rail. Not suitable for 50 mm wide trays.

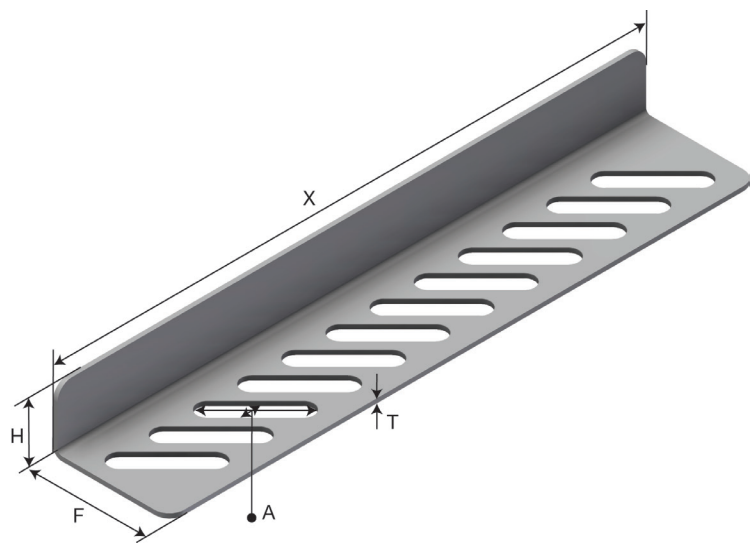
1371805 consists of

Part no.	Name
1372320	SPLICE CONN.SPBE-20 SC HDG
1371981	LOCKING BOLT SET S-M M6x12 A4

Additional information: 2 Splice Connectors per Joint.

Characteristics

Name	Value
Weight (kg)	0.2
F Flange (mm)	40
A Hole Size (mm)	7x30
T Material Thickness (mm)	2.0
H Height (mm)	22
X (mm)	200



Product packaging information

F-PAK GTIN	Single piece	
------------	--------------	--