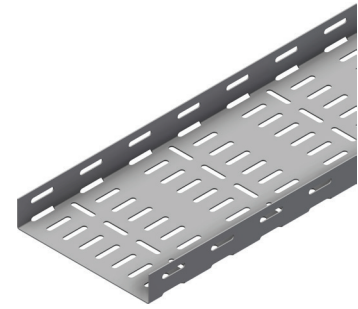


# Product Data sheet

Part no.	Name	Type
1371748	Cable Tray SPBE-40-200 SS	SPBE-40-200

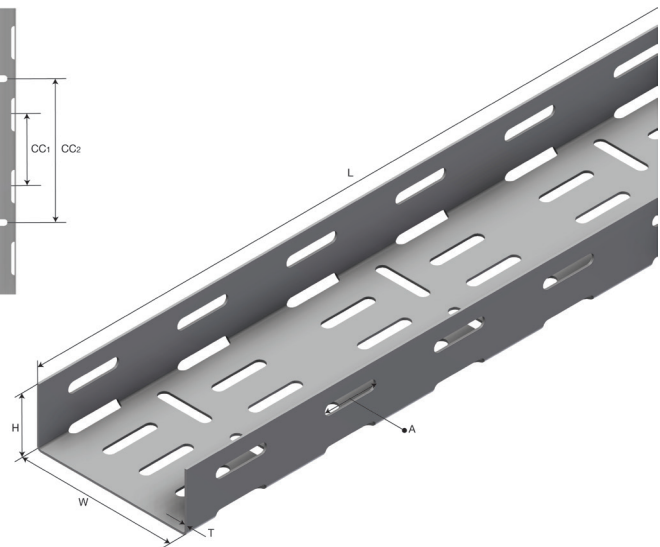
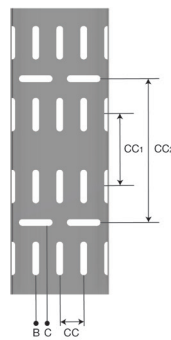
Description: Light Cable Tray mainly for tubing installations, electrical and instrumentation.



Additional information: Epoxy coating or other surface treatments on request. For products requiring the Entela label, use the regular part number and add the letter «C» at the end.

## Characteristics

Name	Value
Weight (kg)	8.5
CC (mm)	25
CC1 (mm)	75
CC2 (mm)	150
A Hole Size (mm)	7x35
B Hole Size (mm)	7x35
C Hole Size (mm)	7x35
T Material Thickness (mm)	1.5
L Length (mm)	3000
W1 Width 1 (mm)	200
H Height (mm)	40



## Product packaging information

F-PAK GTIN	Single piece	
------------	--------------	--