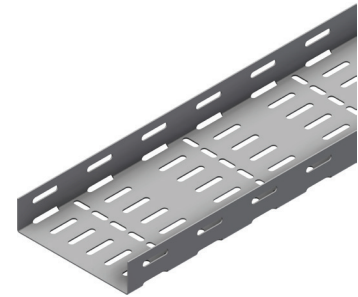


Product Data sheet

| Part no. | Name | Type |
|----------|----------------------------|-------------|
| 1371742 | Cable Tray SPBE-40-150 HDG | SPBE-40-150 |

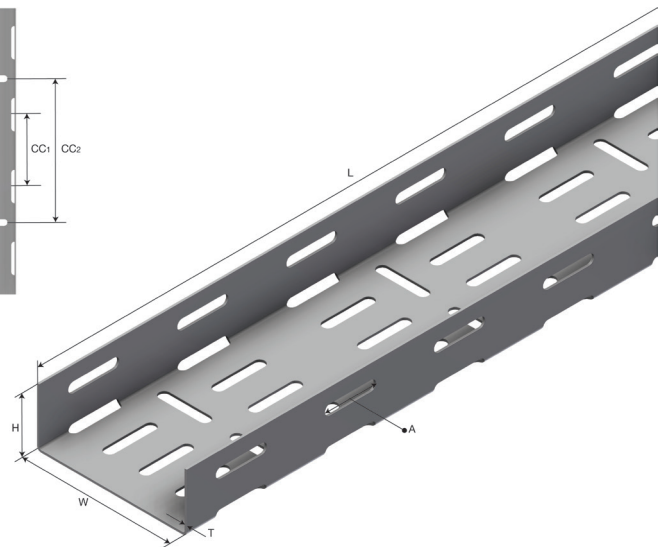
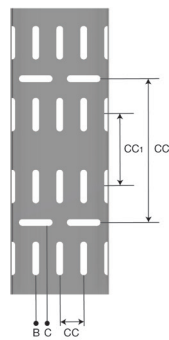
Description: Light Cable Tray mainly for tubing installations, electrical and instrumentation.



Additional information: Epoxy coating or other surface treatments on request. For products requiring the Entela label, use the regular part number and add the letter «C» at the end.

Characteristics

| Name | Value |
|---------------------------|-------|
| Weight (kg) | 9.8 |
| CC (mm) | 25 |
| CC1 (mm) | 75 |
| CC2 (mm) | 150 |
| A Hole Size (mm) | 7x35 |
| B Hole Size (mm) | 7x35 |
| C Hole Size (mm) | 7x35 |
| T Material Thickness (mm) | 2 |
| L Length (mm) | 3000 |
| W1 Width 1 (mm) | 150 |
| H Height (mm) | 40 |



Product packaging information

| | | |
|------------|--------------|--|
| F-PAK GTIN | Single piece | |
|------------|--------------|--|