

# Product Data sheet

Part no.	Name	Type
1371715	Angle Bracket S-M AB 125x60x60-10/12-Z SS	S-M AB 125x60x60-10/12-Z

Description: Angle Bracket for multiple applications.

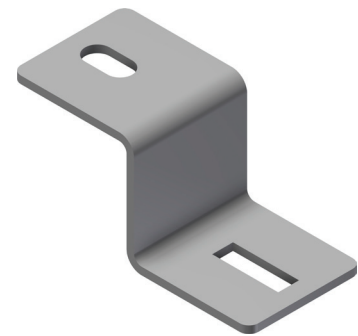
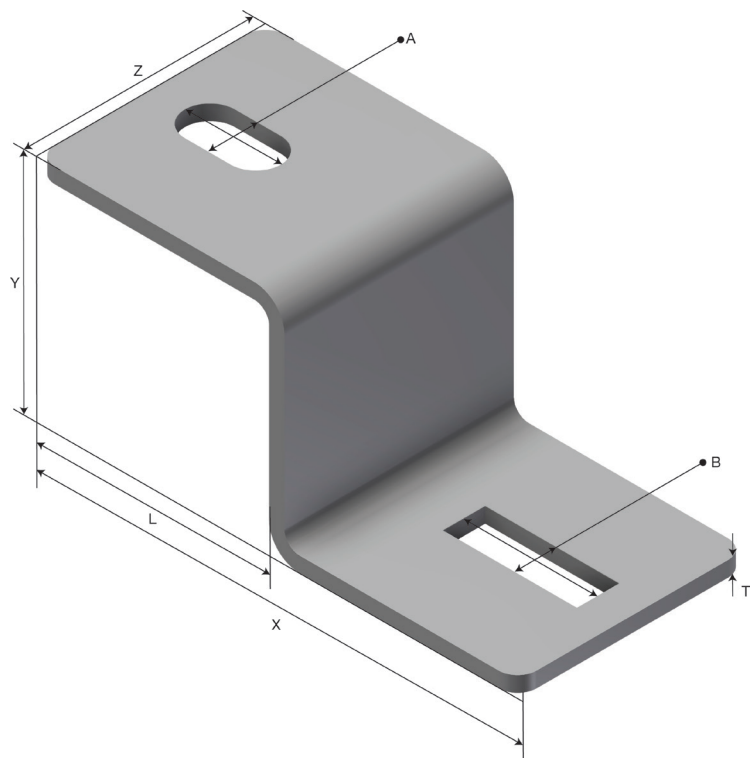
1371715 consists of

Part no.	Name
1371983	LOCKING BOLT SET S-M M10x20 A4
81064	ANGLE BR.S-M AB 45x60-Z SS

Additional information: For M10 and M12 screws.

## Characteristics

Name	Value
Weight (kg)	0.4
A Hole Size (mm)	13x25
B Hole Size (mm)	11x35
T Material Thickness (mm)	4.0
L Length (mm)	65
X (mm)	126
Y (mm)	60
Z (mm)	60



## Product packaging information

F-PAK GTIN	Single piece	
------------	--------------	--