

# Product Data sheet

Part no.	Name	Type
1371713	Angle Bracket S-M AB 65x80x40-10/12 SS	S-M AB 65x80x40-10/12

Description: Angle Bracket for multiple applications.

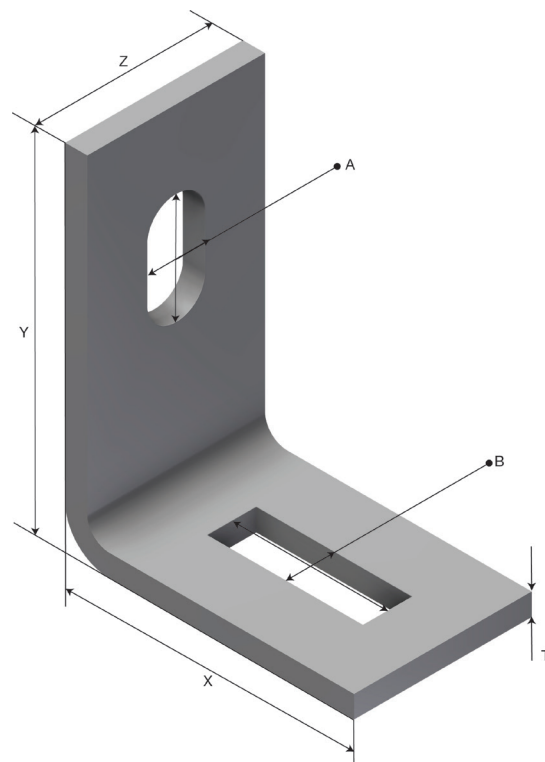
1371713 consists of

Part no.	Name
81060	ANGLE BR.S-M AB65x80-10/12 SS
1371983	LOCKING BOLT SET S-M M10x20 A4

Additional information:

### Characteristics

Name	Value
Weight (kg)	0.2
A Hole Size (mm)	13x25
B Hole Size (mm)	11x35
T Material Thickness (mm)	5
X (mm)	65
Y (mm)	80
Z (mm)	40



### Product packaging information

F-PAK GTIN	Single piece	
------------	--------------	--