

Product Data sheet

Part no.	Name	Type
1302680	Angle Bracket S-M AB-HR-UB-M10-1½-2" HDG	S-M AB-HR-UB-M10-1½-2"

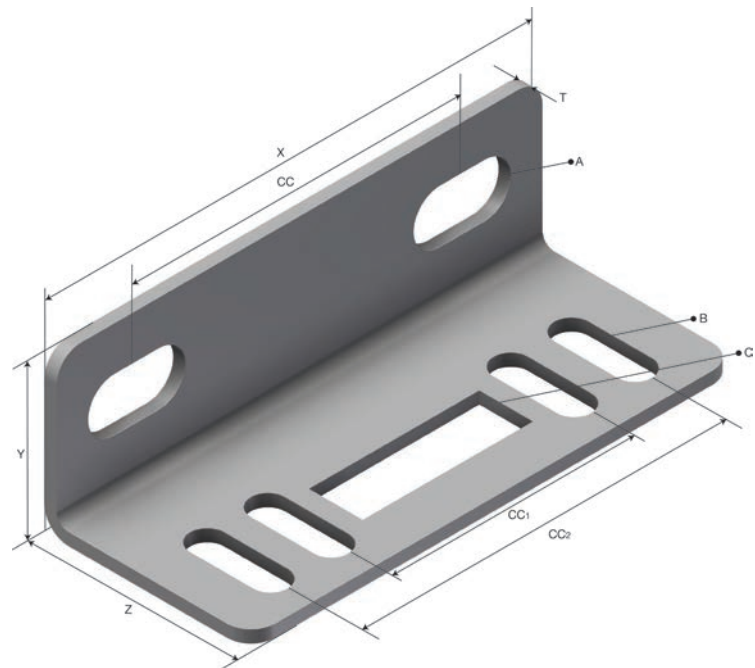
Description:



Additional information:

Characteristics

Name	Value
Weight (kg)	0.1
CC (mm)	67
CC1 (mm)	50
B Hole Size (mm)	7x20
A Hole Size (mm)	11x20
C Hole Size (mm)	11x35
T Material Thickness (mm)	2.5
X (mm)	100
Y (mm)	32.5
Z (mm)	42.5



Product packaging information

F-PAK GTIN	Single piece	 7070693026802
D-PAK GTIN		