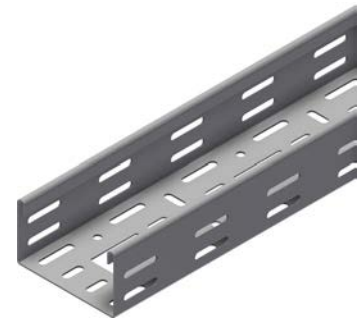


Product Data sheet

Part no.	Name	Type
1302201	Lighting Tray SPB-RF-60-100 SS	SPB-RF-60-100

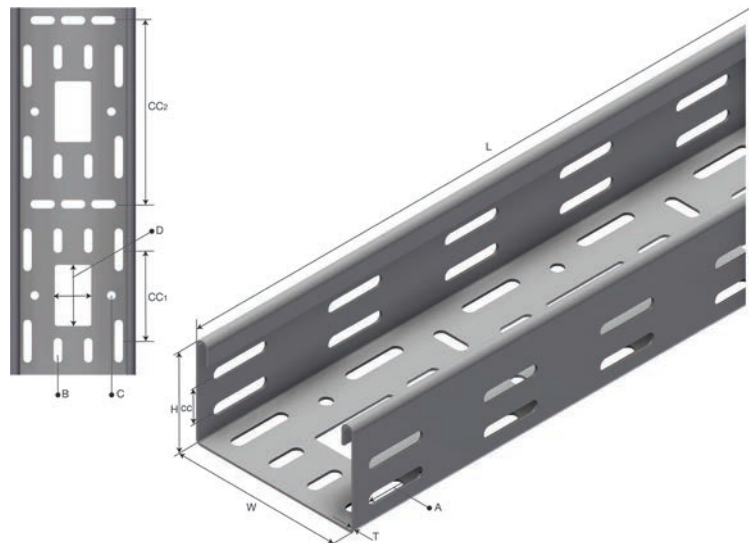
Description: Cable Tray with return flange mainly for electrical cable and light support.




Additional information: On request: Epoxy coated and special treatment.

Characteristics

Name	Value
Weight (kg)	7.5
W Width (mm)	100
CC (mm)	20
CC1 (mm)	75
B Hole Size (mm)	7x20
A Hole Size (mm)	7x35
C Hole Size (mm)	Ø7
D Hole Size (mm)	50x30
L Length (mm)	3000
H Height (mm)	60
T Material Thickness (mm)	1.5



Product packaging information

F-PAK GTIN	Single piece	 7070693022019
D-PAK GTIN		