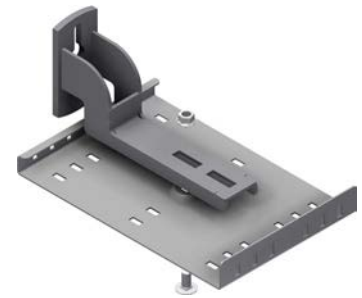


# Product Data sheet

Part no.	Name	Type
1301099	Inside Cantilever Bracket S-SPB CA-IN-400 PG	S-SPB CA-IN-400

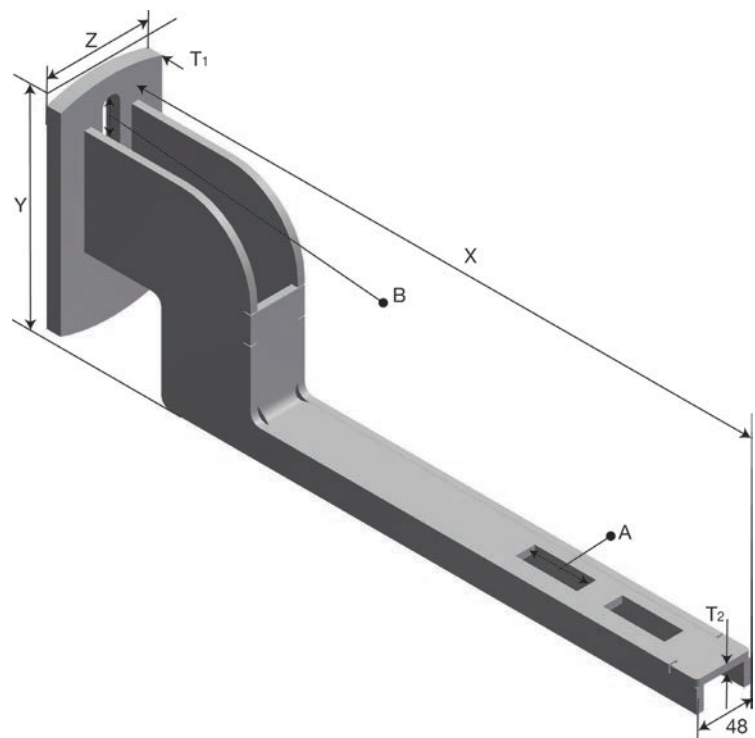


**Description:** S-SPB CA-IN-400


**Additional information:** Wall brackets for the widths 300-600 are supplied complete with inside support bracket. Type states tray width 300-600.

## Characteristics

Name	Value
Weight (kg)	0.7
W1 Width 1 (mm)	400



## Product packaging information

F-PAK GTIN	Single piece	 7070693010993
D-PAK GTIN		