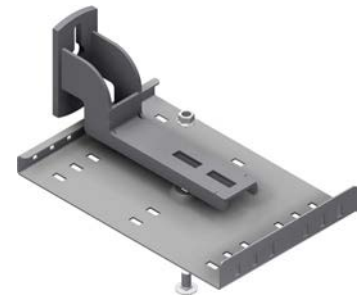


Product Data sheet

Part no.	Name	Type
1301098	Inside Cantilever Bracket S-SPB CA-IN-300 PG	S-SPB CA-IN-300

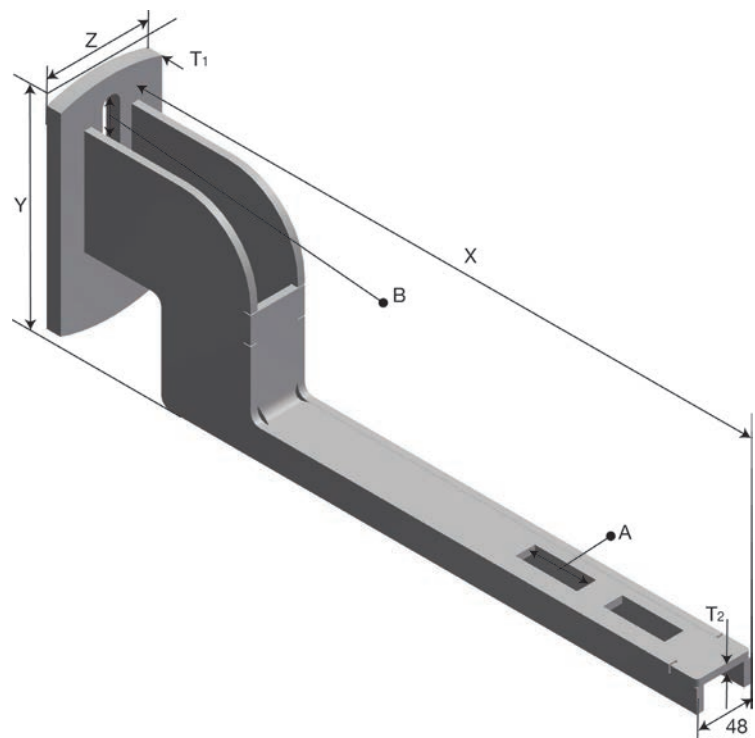


Description: S-SPB CA-IN-300


Additional information: Wall brackets for the widths 300-600 are supplied complete with inside support bracket. Type states tray width 300-600.

Characteristics

Name	Value
Weight (kg)	0.6
W1 Width 1 (mm)	300



Product packaging information

F-PAK GTIN	Single piece	 7070693010986
D-PAK GTIN		