

Product Data sheet

| Part no. | Name | Type |
|----------|--|-----------------|
| 1301097 | Inside Cantilever Bracket S-SPB CA-IN-200 PG | S-SPB CA-IN-200 |

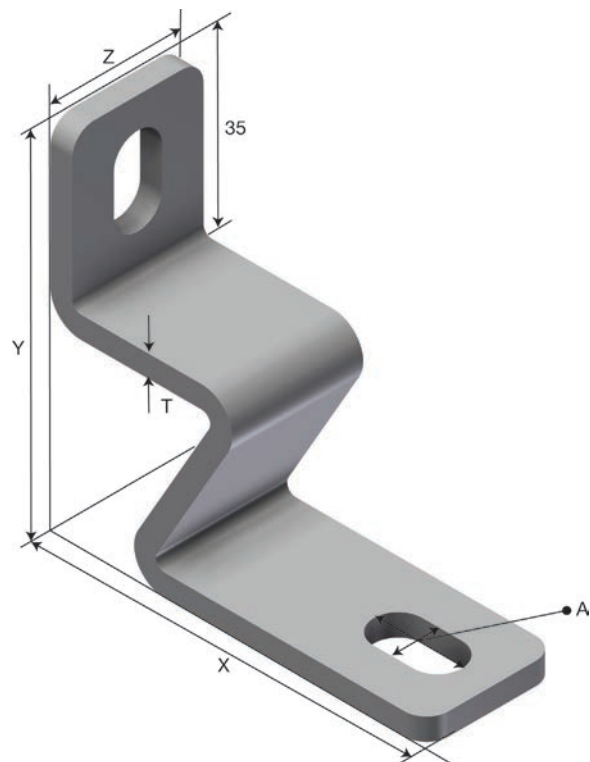
Description: Inside Cantilever Bracket which is practical when the support is not visual from below.



Additional information: For un-slotted trays. Combine with inside splice.

Characteristics

| Name | Value |
|-----------------|-------|
| Weight (kg) | 0.5 |
| W1 Width 1 (mm) | 200 |



Product packaging information

| | | |
|------------|--------------|--|
| F-PAK GTIN | Single piece |  7070693010979 |
| D-PAK GTIN | | |