

# Product Data sheet

Part no.	Name	Type
1301096	Inside Cantilever Bracket S-SPB CA-IN-150 PG	S-SPB CA-IN-150

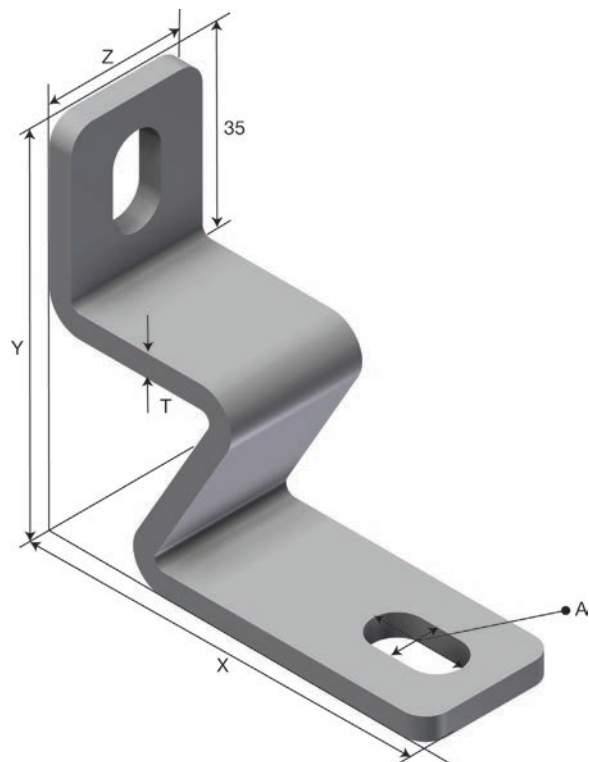
**Description:** Inside Cantilever Bracket which is practical when the support is not visual from below.




**Additional information:** For un-slotted trays. Combine with inside splice.

## Characteristics

Name	Value
Weight (kg)	0.2
W1 Width 1 (mm)	150



## Product packaging information

F-PAK GTIN	Single piece	 7070693010962
D-PAK GTIN		