

Product Data sheet

Part no.	Name	Type
1301095	Inside Cantilever Bracket S-SPB CA-IN-100 PG	S-SPB CA-IN-100

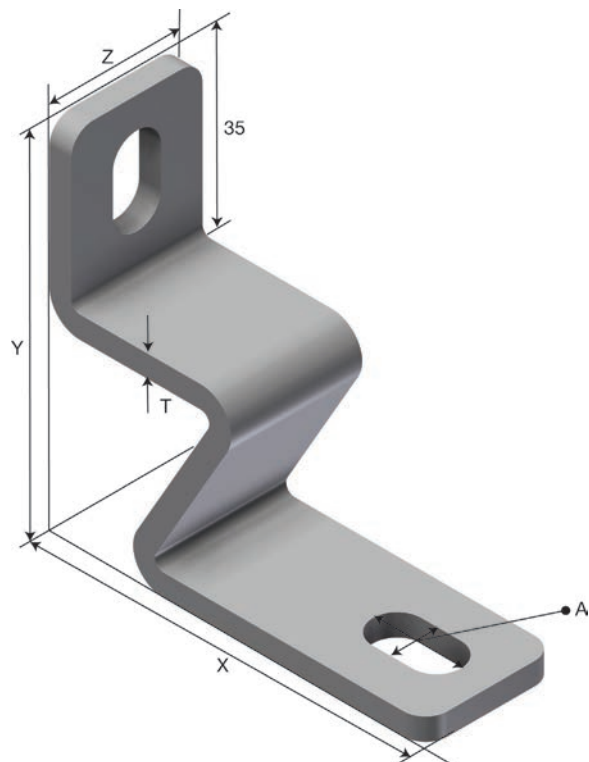
Description: Inside Cantilever Bracket which is practical when the support is not visual from below.




Additional information: For un-slotted trays. Combine with inside splice.

Characteristics

Name	Value
Weight (kg)	0.2
W1 Width 1 (mm)	100



Product packaging information

F-PAK GTIN	Single piece	 7070693010955
D-PAK GTIN		