

# Product Data sheet

Part no.	Name	Type
1301092	Support Brackets S-SPB SB 100 PG	S-SPB SB 100

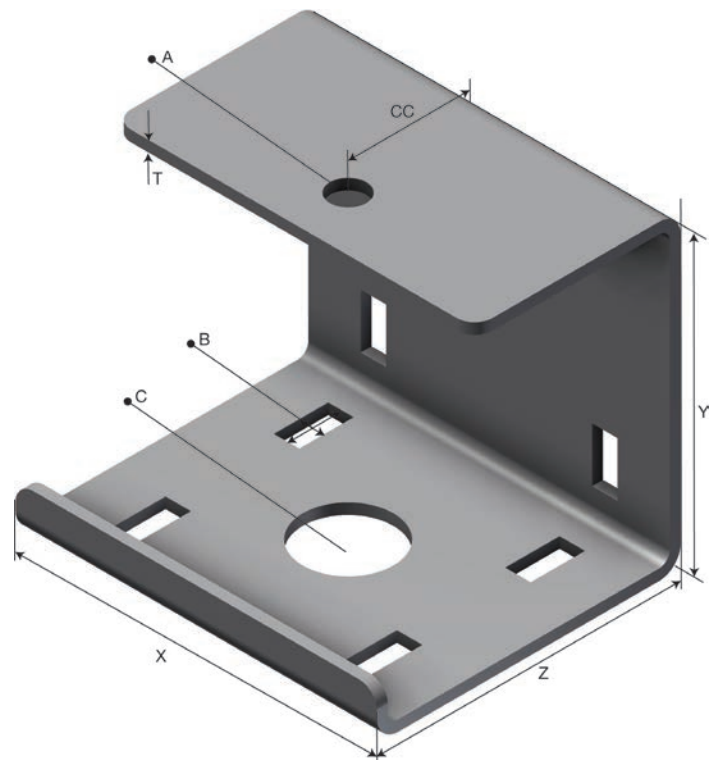
**Description:** Support Bracket that can be used as a splice connector, as a wall bracket or fixed direct to the ceiling.




**Additional information:** Prepare easy tray installation with preadjusted support brackets.

## Characteristics

Name	Value
Weight (kg)	0.6
CC (mm)	54.5
B Hole Size (mm)	7x15
A Hole Size (mm)	Ø10
C Hole Size (mm)	Ø25
W1 Width 1 (mm)	100
T Material Thickness (mm)	3
X (mm)	100
Y (mm)	86
Z (mm)	109



## Product packaging information

F-PAK GTIN	Single piece	 7070693010924
D-PAK GTIN		