

Product Data sheet

Part no.	Name	Type
1301091	Support Brackets S-SPB SB 75 PG	S-SPB SB 75

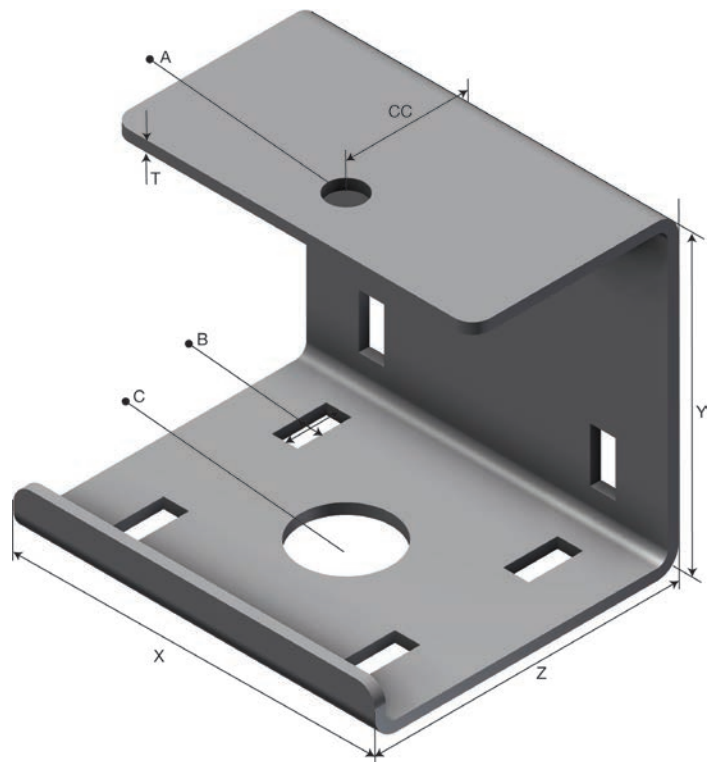
Description: Support Bracket that can be used as a splice connector, as a wall bracket or fixed direct to the ceiling.




Additional information: Prepare easy tray installation with preadjusted support brackets.

Characteristics

Name	Value
Weight (kg)	0.5
CC (mm)	42
B Hole Size (mm)	7x15
A Hole Size (mm)	Ø10
C Hole Size (mm)	Ø25
W1 Width 1 (mm)	75
T Material Thickness (mm)	3
X (mm)	100
Y (mm)	86
Z (mm)	84



Product packaging information

F-PAK GTIN	Single piece	 7070693010917
D-PAK GTIN		