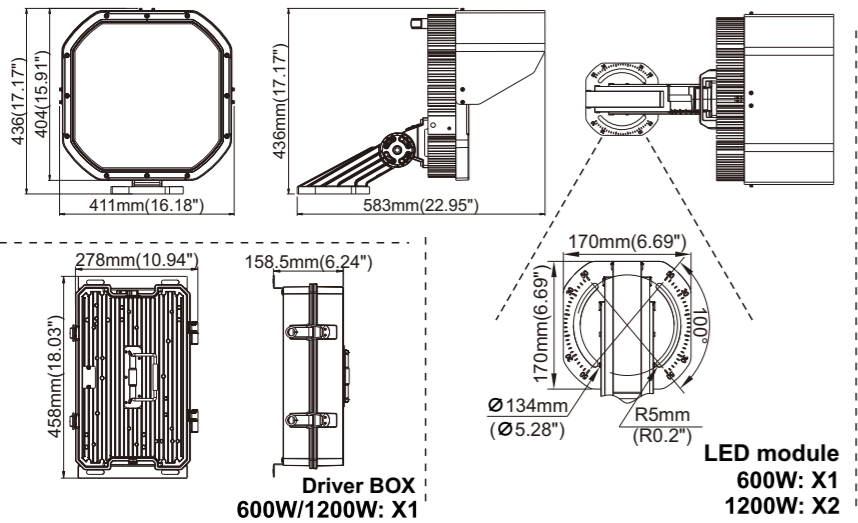
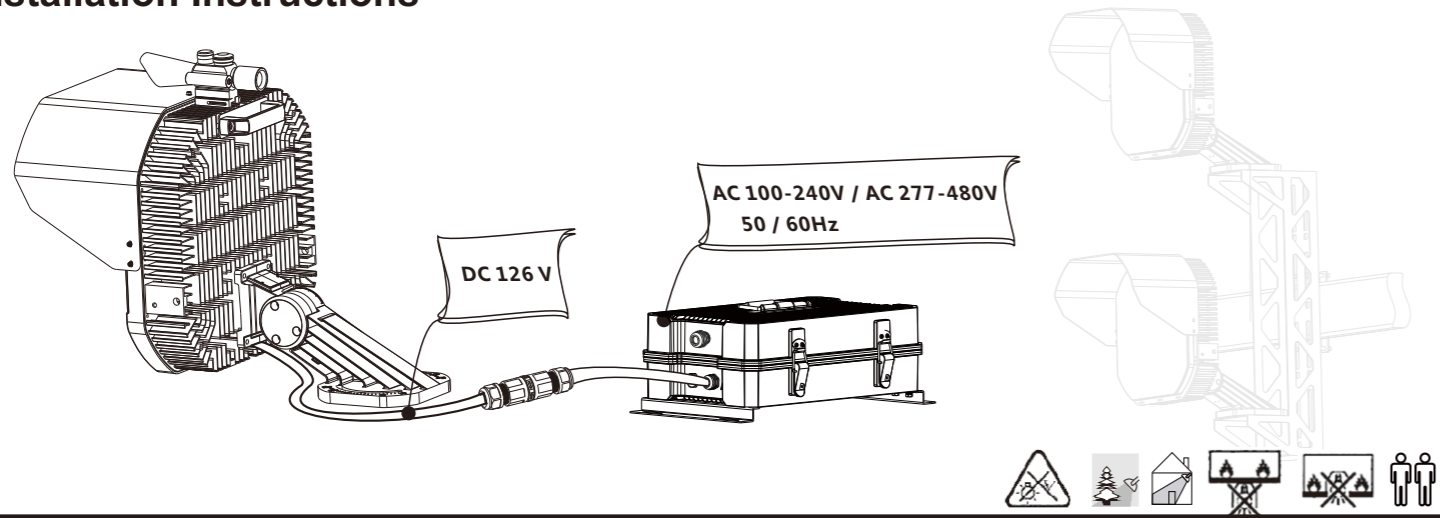
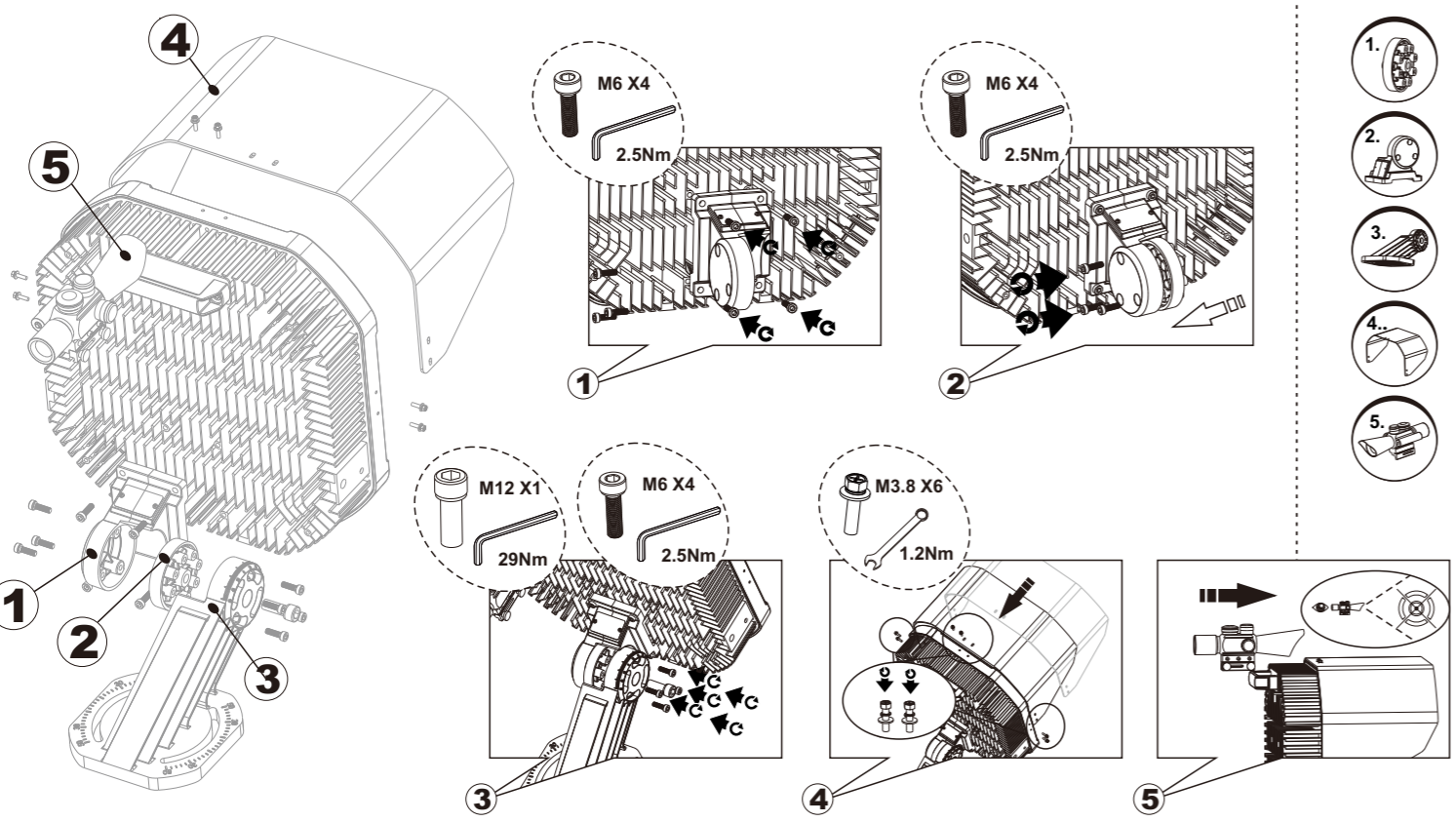


LED Sport Light

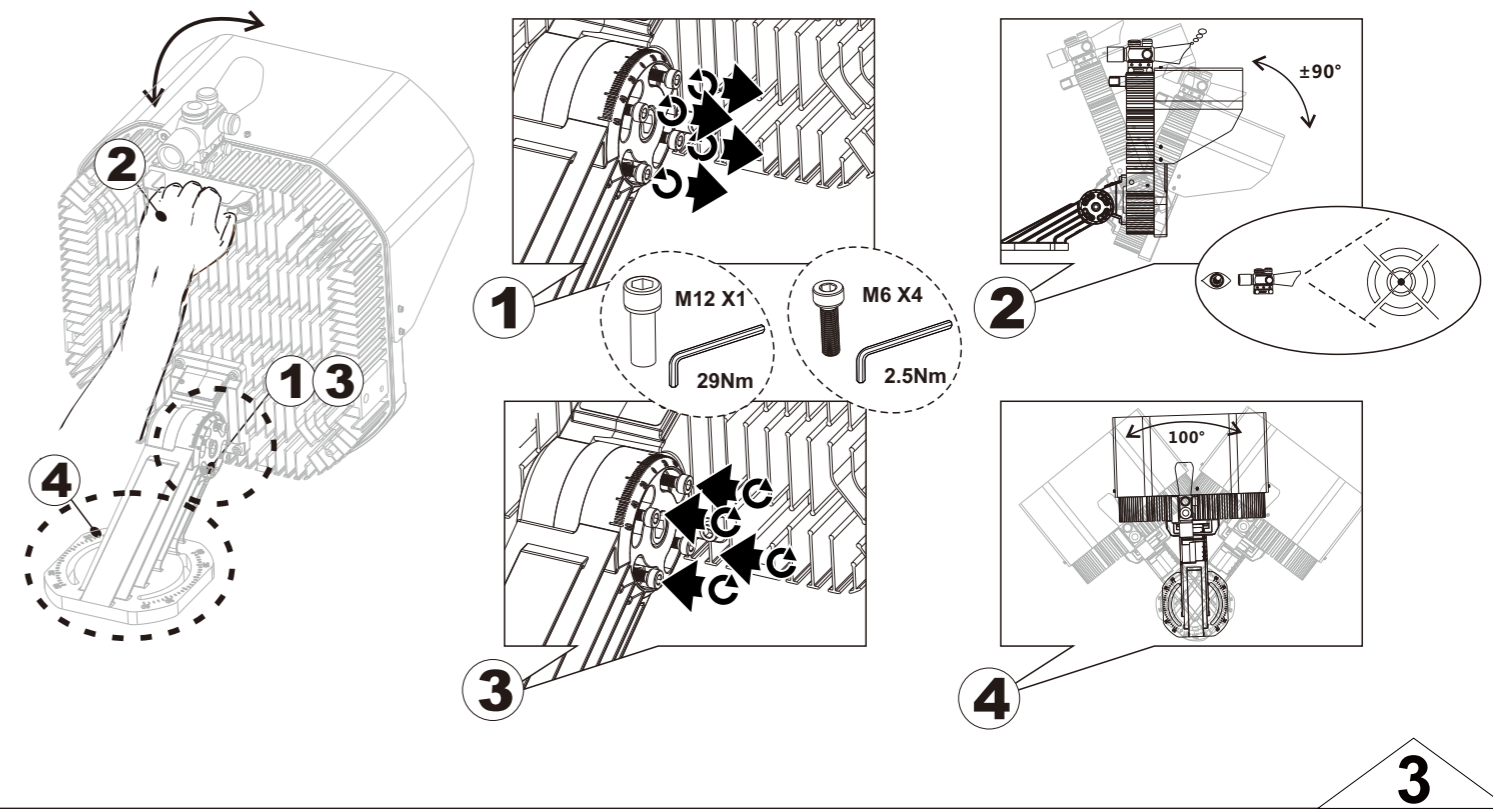
Installation Instructions



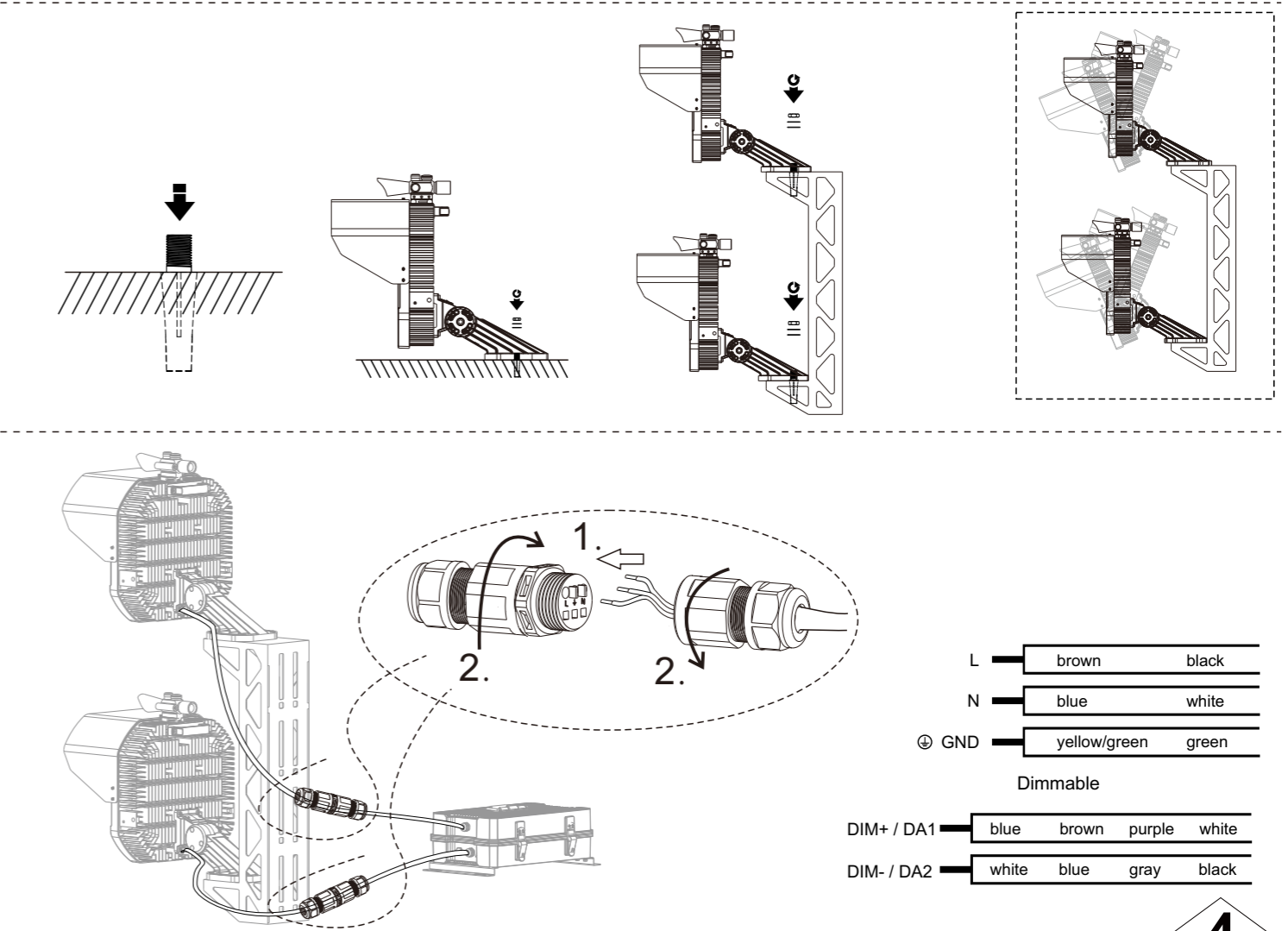
	600W	Driver BOX(600W)	Driver BOX(1200W)
Size (L x W x H)	583×411×436mm (22.95×16.18×17.17")	458×278×159mm (18.03×10.94×6.26")	
N.W	11.5±0.3kg (25.35±0.66Lb)	8.7±0.3kg (19.18±0.66Lbs)	12.5±0.3kg (27.55±0.66Lbs)
Effective Projected Area (EPA)	2.14ft ²		1.64ft ²
Operating Temperature	-30°C to +50°C (-22°F to 122°F)		



2



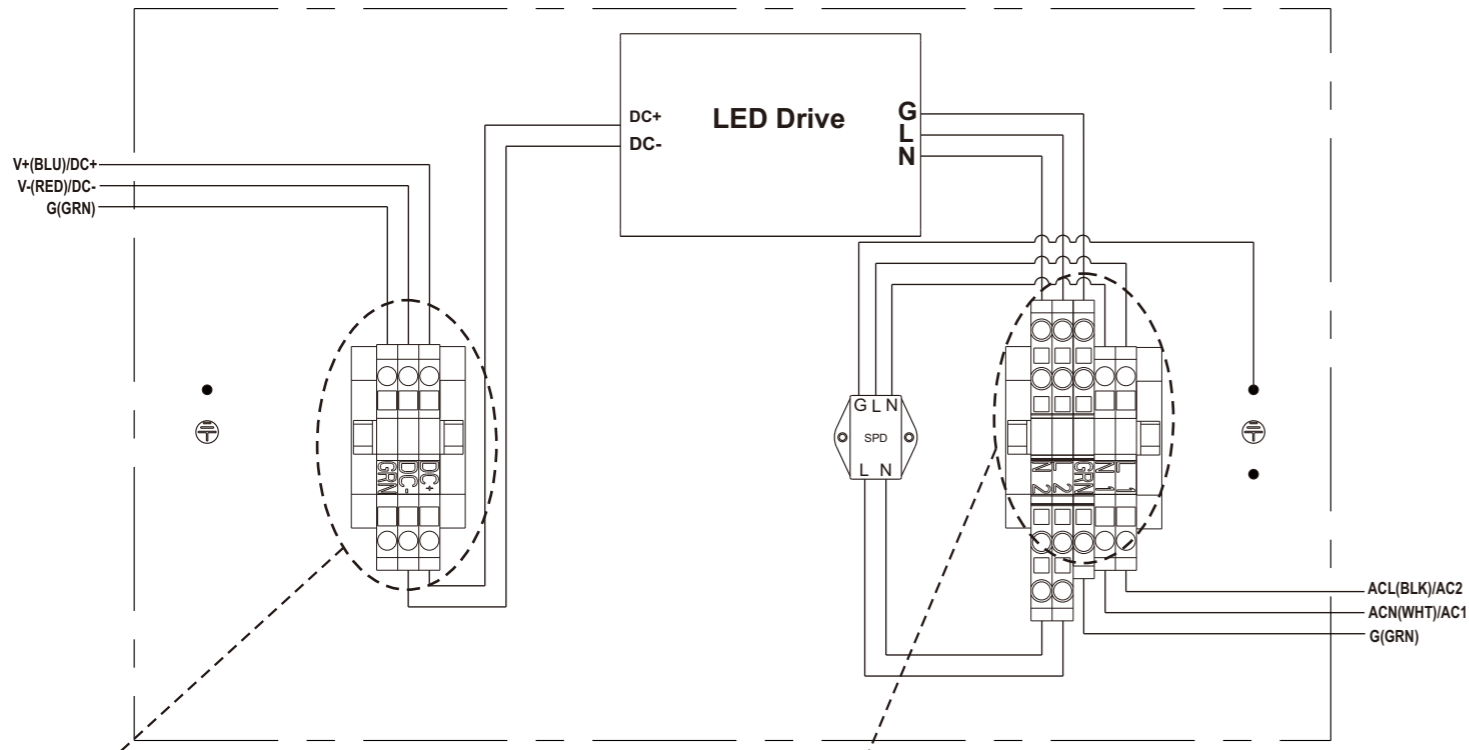
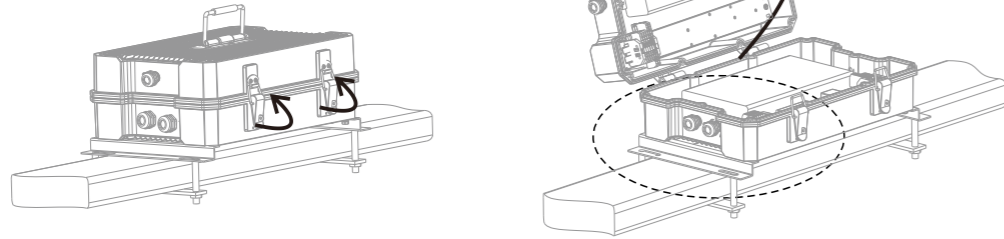
3



4

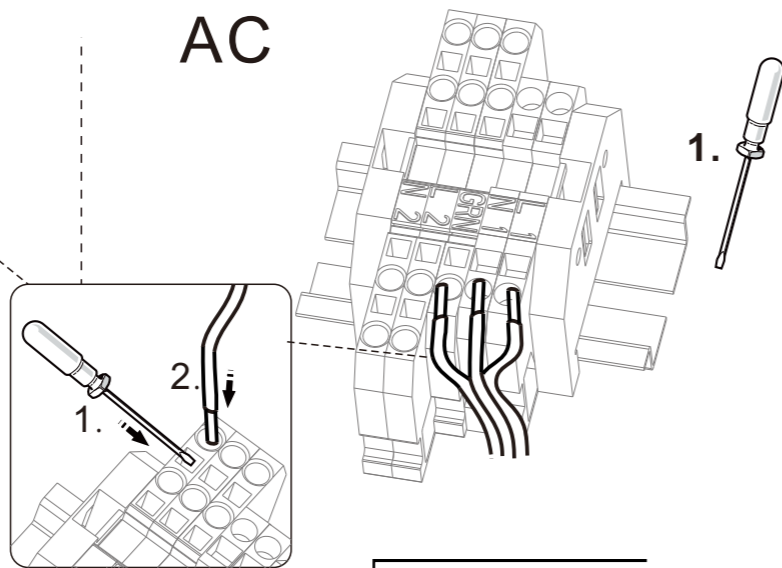
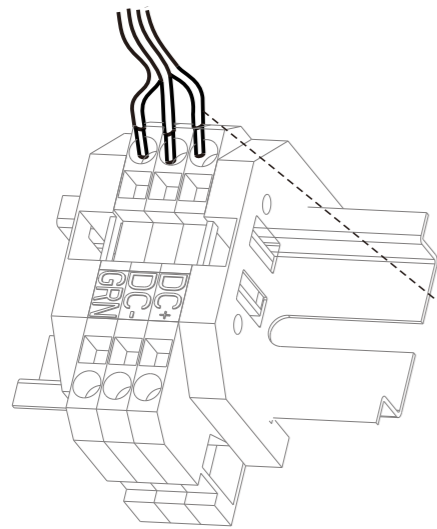
LED Sport Light

Installation Instructions



DC

AC



Dimmable

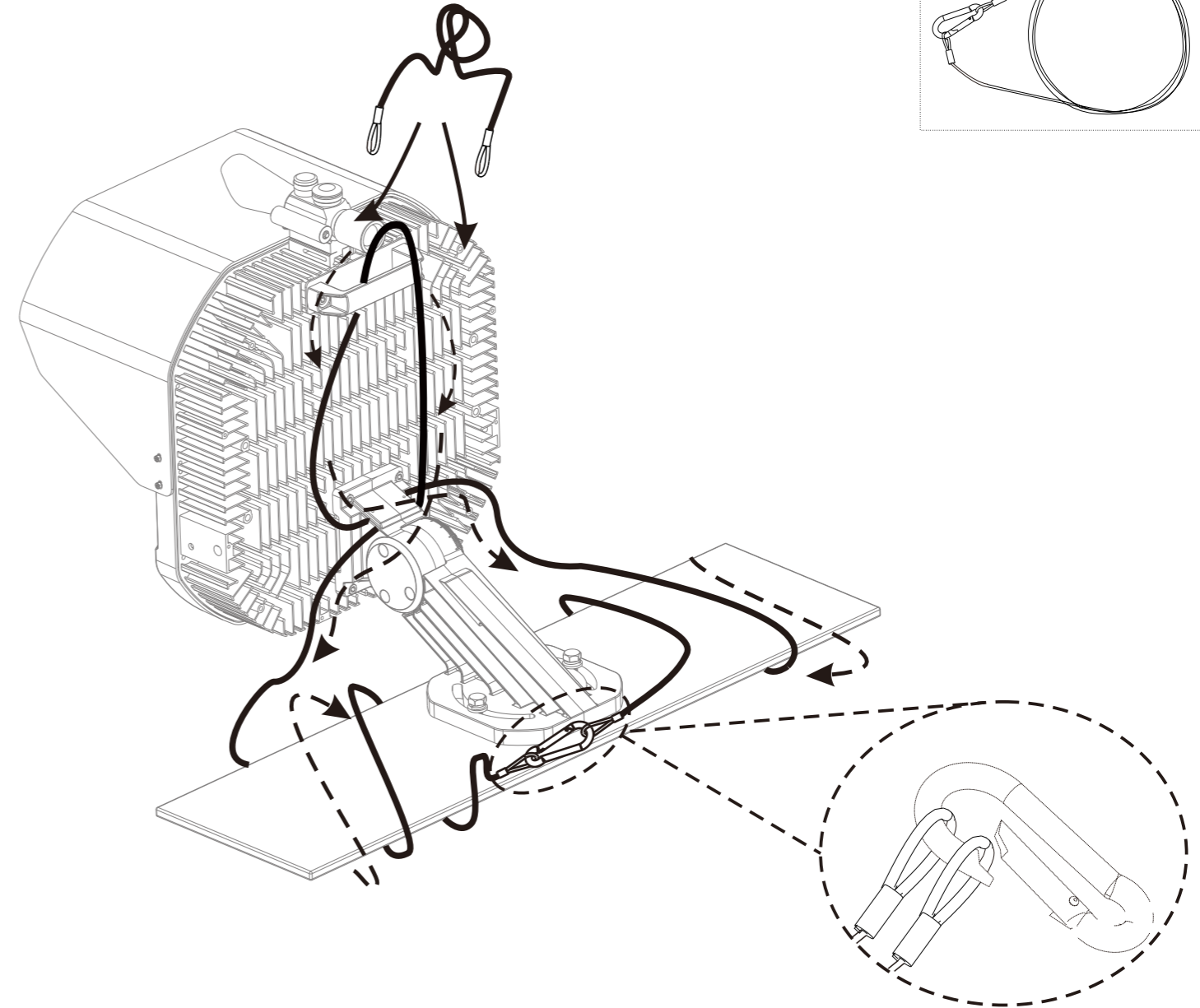
DIM+ / DA1	blue	brown	purple	white
DIM- / DA2	white	blue	gray	black
⊕ GND	yellow/green	green		

L	brown	black
N	blue	white
⊕ GND	yellow/green	green

5

Page 3

safety rope



•if the external flexible cable or cord of this luminaire is damaged, it shall be exclusively replaced by the manufacturer or his service agent or a similar qualified person in order to avoid a hazard.

6

Page 4