



Norwegian design

## Nobø NHTS/NHTR Fan 100mm - 150mm Adaptor Kit

### Installation and Maintenance Instructions

Nobø	Nr: 64513152
Norway	Nr: 4900623
Sweden	Nr: 9303425
Denmark	Nr: 0978561147
Finland	Nr: 85 072 54



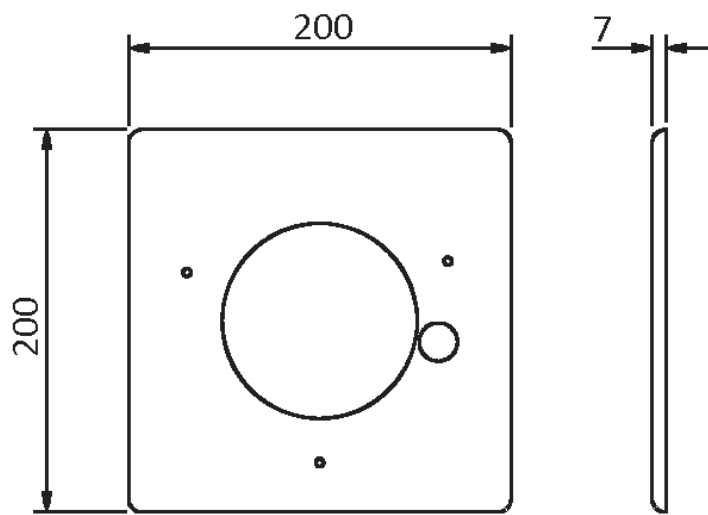
- Do read the entire instruction leaflet before commencing installation.
- This adaptor kit is designed to be used with Nobø NHTR/S series only and installed in a pre cut hole.
- Install fan in accordance with its installation instructions.
- Do make sure the mains supply is switched off before attempting to make electrical connections or carry out any maintenance or cleaning.

**Please leave this leaflet with the fan for the benefit of the user.**

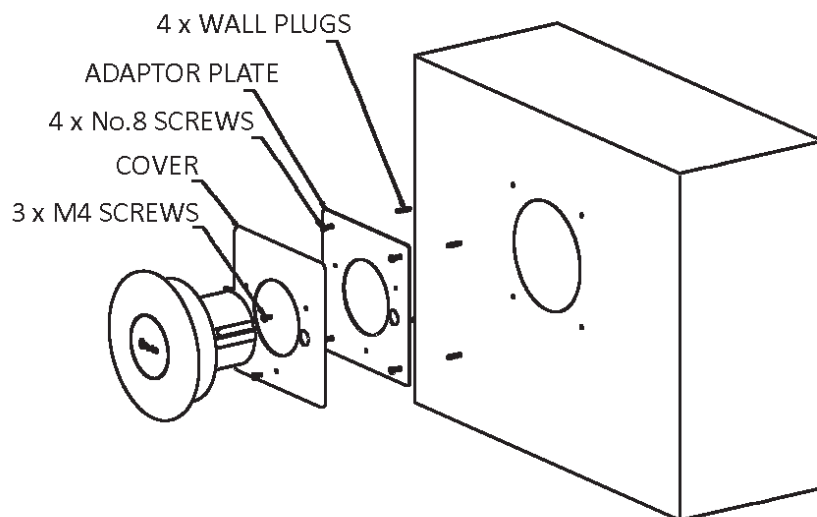


This adaptor kit should only be installed by a competent person into a pre prepared hole.

#### Overall Dimensions (mm)



#### Adaptor Kit Component Parts





### Installation

- This adaptor kit is used to enable a NHTR/S series fan to replace an existing 6" / 150mm fan.
- Install fan as far away as possible from and opposite to the main source of air replacement to ensure airflow across the room (e.g. opposite the internal doorway).
- Near the source of steam or odours.



- Not where ambient temperatures are likely to exceed 50°C.
- If installed in a kitchen, fans must not be mounted immediately above a cooker hob, or eye level grill.
- If installing in a room containing a fuel burning device which has a non-balanced flue, it is the installer's responsibility to ensure that there is enough replacement air to prevent fumes being drawn down the flue when the fan is operating up to maximum extract. Refer to Building Regulations for specific requirements.

Exhaust air must not be discharged into a flue used for exhausting of fumes from appliances supplied with energy other than electric. Requirements of all authorities concerned must be observed for exhaust air discharge and intake flow rates.

- Not suitable for use in possible chemical corrosive atmospheres.



### What the installer will need

- No.1 or 2 Pozidrive screwdriver.

### Method

- Fit adaptor plate to wall using the 4 x No.8 screws and wall plugs provided.
- Place cover over adaptor plate.
- Install fan in kit in accordance with its installation instructions. Use the M4 Self-Tapping Screws provided to attach fan to adaptor plate.

## Cleaning (recommended once a month)



1. Before cleaning, isolate the fan completely from the mains supply.
2. Remove the front cover/baffle assembly by depressing the latch on the underside of the cover and pulling off the front cover / baffle from the bottom.
3. To clean the front cover/baffle assembly, either wipe it with a damp, lint free cloth or wash it with warm soapy water. Thoroughly dry the front cover and refit.
4. Do not immerse the fan in water or other liquids to clean any other parts of the fan.
5. Do not use strong detergents, solvents or chemical cleaners
6. Allow fan to dry thoroughly before use.
7. Apart from cleaning, no other maintenance is required.



## Disposal

This product should not be disposed of with household waste. Please recycle where facilities exist. Check with your local authority for recycling advice.

## Guarantee

We, Glen Dimplex Nordic / Nobø, provide a guarantee against faulty parts and manufacture for a period of 2 years from the date of purchase. In the unlikely event of a product breakdown during the guarantee period the product should be returned to the place of purchase or to Glen Dimplex Nordic / Nobø.

## Exclusions

- This guarantee does not cover compensation for the loss of product or consequential loss of any kind.
- Damage or defects to the product arising from incorrect installation or lack of maintenance.
- Transportation costs.

This guarantee does not affect your statutory rights

## Contact information

Glen Dimplex Nordic AS, Wessels veg 63, 7502 Stjørdal  
**Telefon:** 74 82 91 00 **Support:** support@glendimplex.no

# NOBO

Norwegian design



# CE