

# Product Data sheet

Part no.	Name	Type
1301065	Riser Bracket SPB-LB RB-45 PG	SPB-LB RB-45

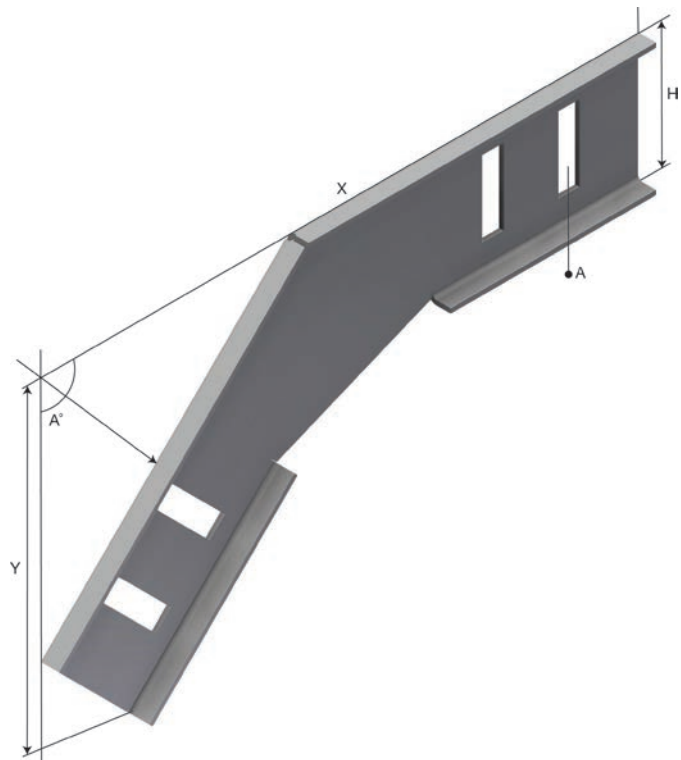
**Description:** The Riser Bracket is used for making a vertical Flat Elbow directly from Cable Trays.



**Additional information:** The bracket is made to avoid sharp edges. Fits widths 50-400.

## Characteristics

Name	Value
Weight (kg)	0.1
A Hole Size (mm)	7x25
H Height (mm)	43.5
T Material Thickness (mm)	1.5
A Angle (deg)	45°
X (mm)	199.9
Y (mm)	120.3



## Product packaging information

F-PAK GTIN	Single piece	 7070693010658
D-PAK GTIN		