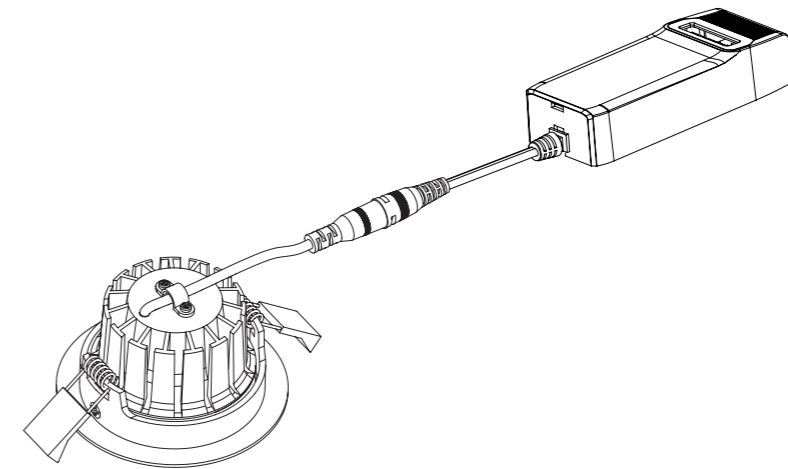


ComfortLed



LED Downlight
LUCCA Series



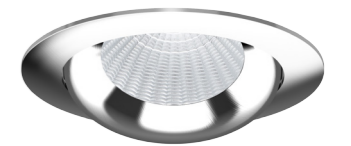
White



Black



Silver



Nickel brushed



Introduction

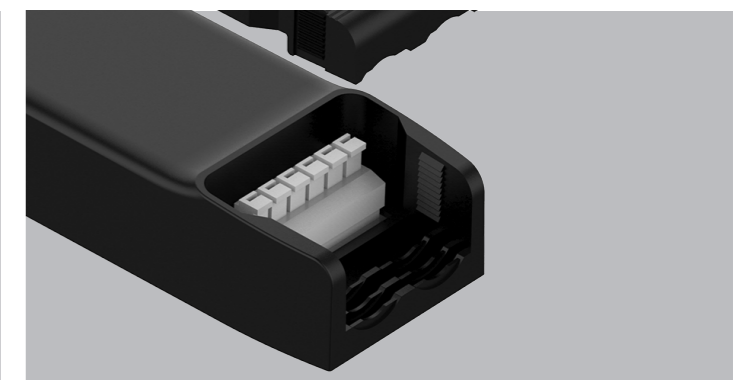
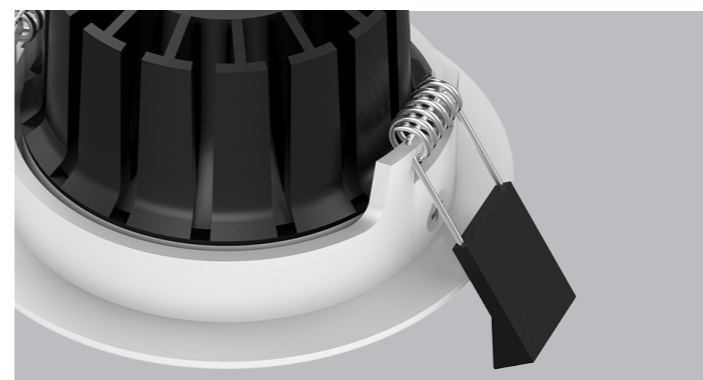
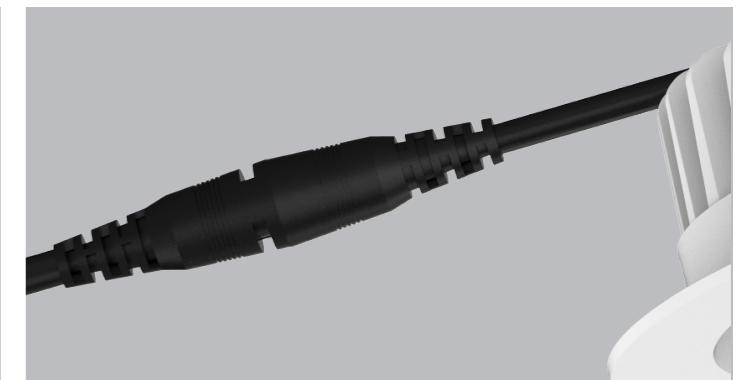
This Mini downlight is specially designed for European market with standard cutout size of 80mm. 15°/24°/36°/60° beam angle provided, applicable for various lighting effect. Smart optical design with combination of COB LED and PC reflector, maximally reduces UGR down to 19 or even less. 25 degree flexible rotary head makes installation easier and better.

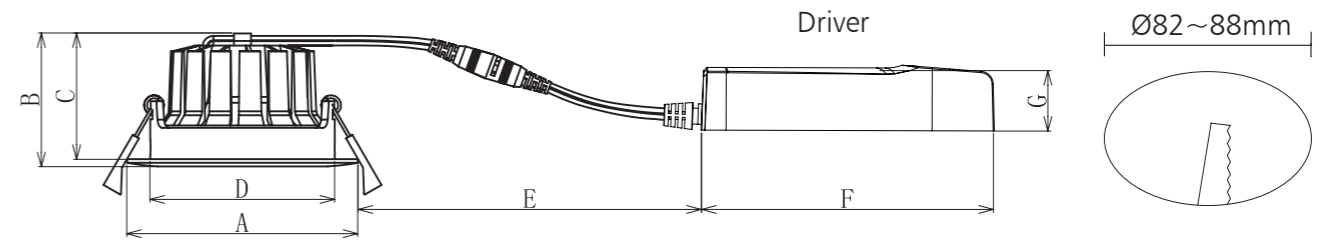
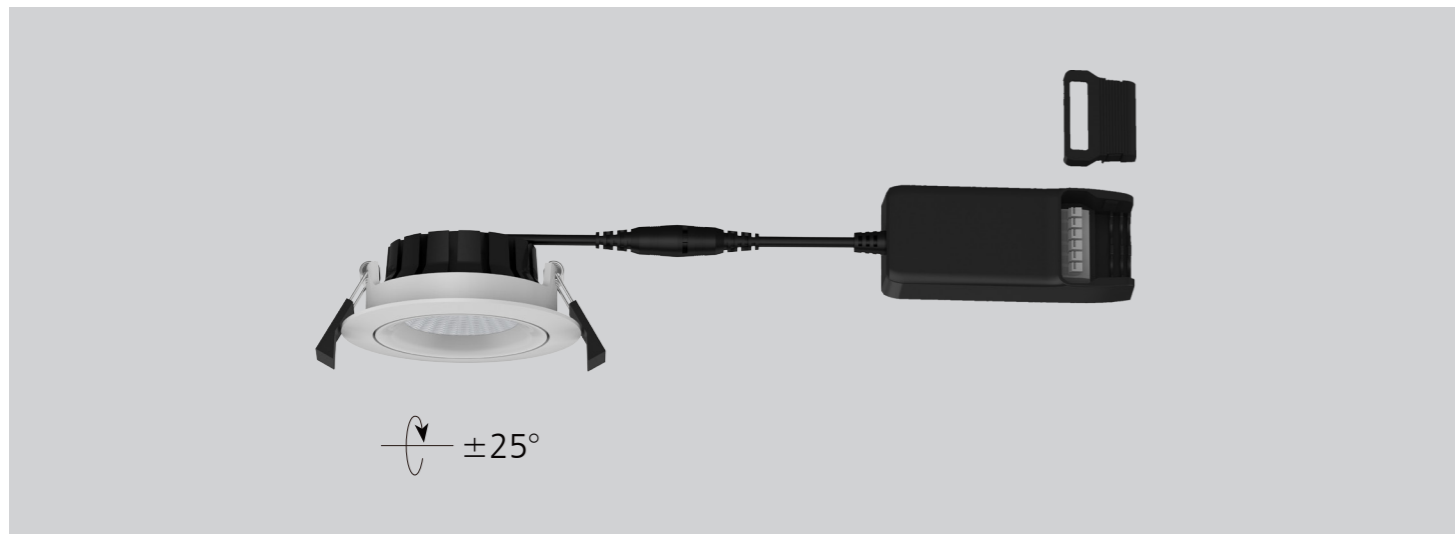
Features

- Suitable for covering with insulation material directly.
- Easy installation with push terminals, loop-in / out design.
- Dim to warm 2000-2800K option
- Cutout 82-88mm.
- CRI80/90 for single CCT, CRI97 for Dim-to-Warm version
- IP54 in front part
- Finished color: White/Black/Silver/Nickel brushed
- Replaceable driver.
- Triac/0-10V/DALI dimming available

Application Areas

It is designed for general lighting applications in office, supermarket, shop, school, hotel, etc. It is also widely used for public areas, such as stairway, lobby, reception, corridors etc.





Technical Data Sheet(1)

Model No.	LUCCA-3-7W-D	LUCCA-3-10W-D	LUCCA-3-7W-DW	LUCCA-3-10W-DW					
Dimension(mm)	Ø95*55	Ø95*55	Ø95*55	Ø95*55					
Cutout (mm)	Ø82-88	Ø82-88	Ø82-88	Ø82-88					
Watt(W)	7W	10W	7W	10W					
Rated Input Voltage(V)	AC230V								
Input Voltage(V)	AC200-240V								
LED Module Input	DC33-38V								
Light Source	SMD								
SDCM	<6								
CCT(K)	1-CCT: 2700K/3000K/4000K/5000K			WW: 2000-2800K					
CCT Selection DIP Switch	NO			NO					
Luminous Flux (lm) ±5%	Non-DIM	1-CCT	-	-	-	-	-	-	-
			490~560	460~530	430~500	680~740	660~720	430~500	640~700
	DIM	3-CCT	-	-	-	-	-	-	-
			-	-	-	-	-	-	-
CRI	80	90	95	80	90		90-97	90-97	
Beam Angle (°)	15°/24°/36°/60°								
UGR	-								
LED Driver	Built-out								
Dimming Option	Triac/ DALI/ 0-10V								
Sensor	NO								
Emergency Kits	YES								
Electrical Class	Class II								
Ingress Protection (IP Rating)	IP54(Below Ceiling) IP20(Inside Ceiling)								
Impact Resistance (IK Rating)	IK06								
Product Finishing(Base)	White RAL 9016								
Materials of Optics	PC								
Materials of Housing	Aluminium								
Lifetime (hr)	50,000h								
Glow wire test (°C)	750°C								
Operating Temp. (°C)	-20°C~ 45°C								
Storage Temp. (°C)	-20°C~ 65°C								
Installation	Recessed								

Measurement

Inch	Dimension(mm)							Size(mm)	Product Weight (Kg)		Package weight (Kg)		Carton Size(cm)	Qty/CTN	20GP (pcs)	40HQ (pcs)
	A	B	C	D	E	F	G		N.W/PC	G.W/PC	N.W/CTN	G.W/CTN				
3"	95	55	52	78	210	120	25	Ø95*55	0.4	0.45	9.6	12.5	50*37.5*35	36	14760	35568

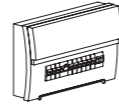
Driver Datasheet (Triac-Dimmable)

Total load wattage		7W	10W
Output	Output Voltage range	DC30-40V	DC30-40V
	Rated output current	140mA±5%	220mA±5%
	Line Regulation	±5%	±5%
	Setup, Rise Time	≤0.5S	≤0.5S
	Flickering Index	<10%	<10%
Input	Input Voltage	AC200-240V	AC200-240V
	Rated Input Voltage(V)	AC230V	AC230V
	Frequency	50Hz	50Hz
	Input Current	≤0.05A	≤0.06A
	Rated Input Current	0.04A	0.05A
	Power Factor	0.85	0.85
	THD	-	-
	Efficiency	73%	77%
No load wattage		≤1W	
Protection	Short circuit protection	Pass	
	Over voltage protection	Pass	
	Over temperature protection	Pass	
Safety & EMC	Withstand voltage	I/P-O/P:3.75kVac, <5mA 60S; I/P-FG:1.6kVac, <5mA 60S; O/P-FG:0.5kVac, <5mA 60S	
	Isolation Resistance	I/P-O/P: 500VDC, ≥100M Ω (Lamp test)	
	Surge	IEC/EN61000-4-5(P<25W; L-N:500V, L/N-PG:1KV); IEC/EN61000-4-5(P≥25w L-N:1KV, L/N-PG:2KV)	
	EMC Emission	EN55015, EN61000-3-2	
EMC Immunity	EN61000-4-2,3,4,5,6,8,11; EN61547		

Installation Procedure

WARNING ⚡

1. Switch off before installation / maintenance.
2. Switch on only after complete installation and examination of the circuit.
3. Professional electrician for installation and maintenance only.

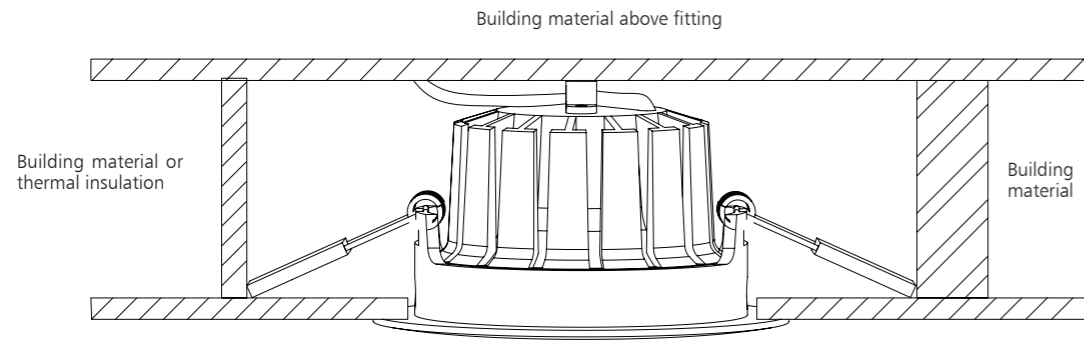


Turn Off power supply before starting any installation. Read instructions & check you have all the tools & accessories to complete the installation correctly.

How to install

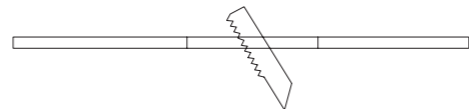


Installation

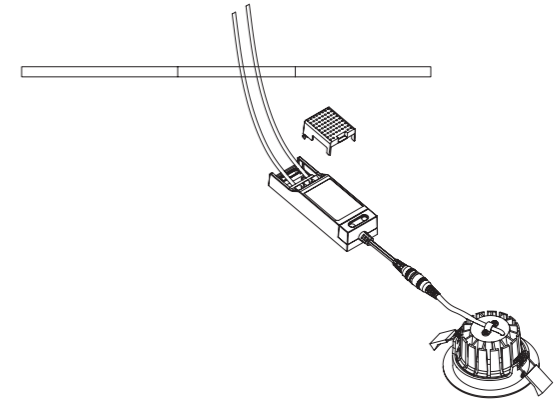


Step 1

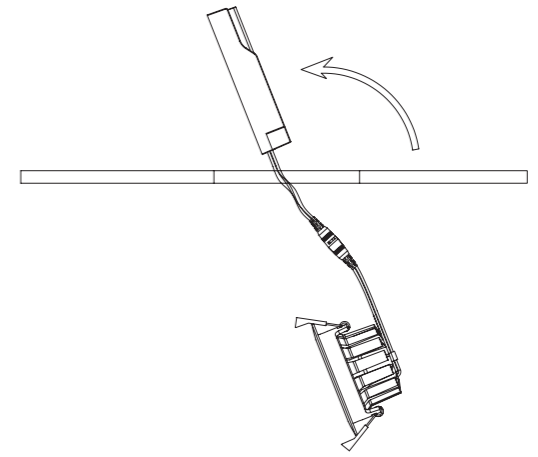
Ceiling Opening Ø78-83mm



Step 2



Step 3



Step 4

Finish

