



Customer Art.-No.: .

Manufacturer: GLAMOX Production

Article-No.: FX61401001

Description

Type of luminaire:	FX61 18000 850 230 M25 MB STEEL	Categorie:	FX61
Protection degree:	FX61 EX de - LED-FLOODLIGHT IP 6667	Ignition class:	Ex de IIC T4 Gb
Body Material / Frame:	Aluminium Seawater resistant	Fire prot. class:	
Colour of Body:	Unpainted	Colour of reflector:	
Diffuser Material:	Glass	Colour of ring:	
Mounting:	Bracket Stainless steel	Cable length:	m
Approval:		Connection:	
		Optic:	MB
		Visibility:	nm

Electrical Data

Number of lamps:	4	Power of lamp:	40W	Voltage:	230V ± 10%
Number of lamps 2:		Power of lamp 2:	W	Mains Current:	Appr. 0.72 A
Frequency:	50/60Hz	Power consumpt:	Appr. 168W	Compensation:	
Light source:	LED	Socket:		Through wiring:	
Light source 2:		TA min.:	-50°C	EM-Type:	
Power factor:	cos phi >0.95	TA max.:	+55°C	Dimming-operat.:	
Lamp(s) included:	YES	Termination:	3x6 D PC	Lamp code:	850
Battery backup:				Lumen Out:	17.675

Dimensions see Page 2

Cut out length:	mm	Cut out width:	mm	Cut out diameter:	mm
Mounting height:	mm	Luminaire width:	270 mm	Luminaire height:	485 mm
Luminaire length:	444 mm	Luminaire depth:	mm	Gross weight:	Appr. 19,50 kg
Fitting diameter:	mm			Net. weight:	Appr. 18,50 kg

Remarks

Cable entry: 2xM25x1.5 brass nickel plated D13-20.2mm
Connection box: Stainless steel

Picture



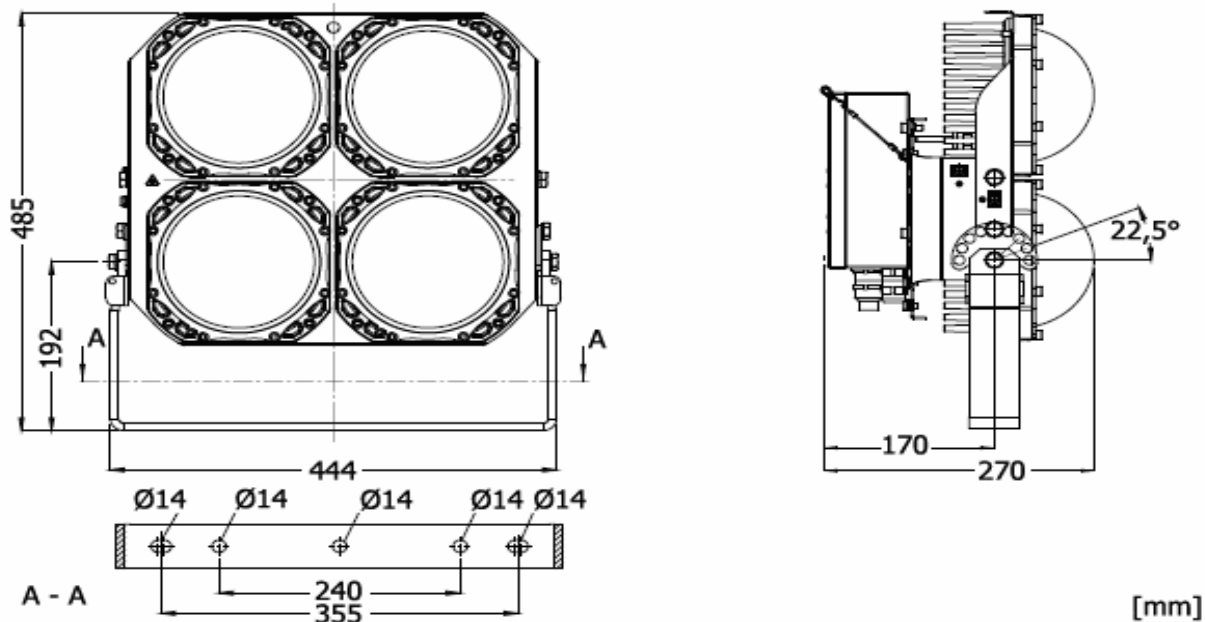


Customer Art.-No.: .

Manufacturer: GLAMOX Production

Article-No.: FX61401001

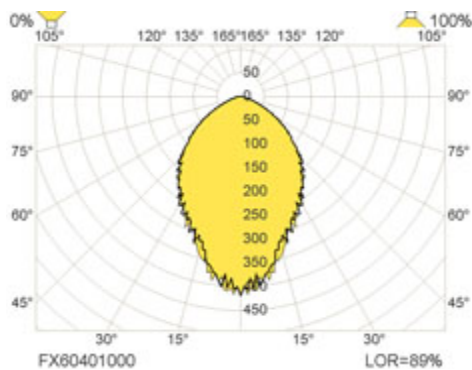
Dimensions



[mm]

Light distribution curve

Spare parts



Item-Nr.	Item
9840267800	FX60 LED-module;40W;230V;MB; Aluminium anodized;5000Kelvin;1 pc.
9840274800	Connection box EXE stainless steel cpl.;1 pc.
9840270600	Mounting bracket FX60/FL60N;1 pc.
9840256800	Cable entry;M16x1.5 brass nickel plated D5-10mm;EXD;1 pc.

The copying, distribution and utilization of this document as well as the communication of its contents to others without expressed authorization is prohibited. Offenders will be held liable for the payment of damages. All rights reserved in the event of the grant of a patent/utility model or ornamental design registration.

Technical modifications reserved without prior notice

Documentation Rev. . 00